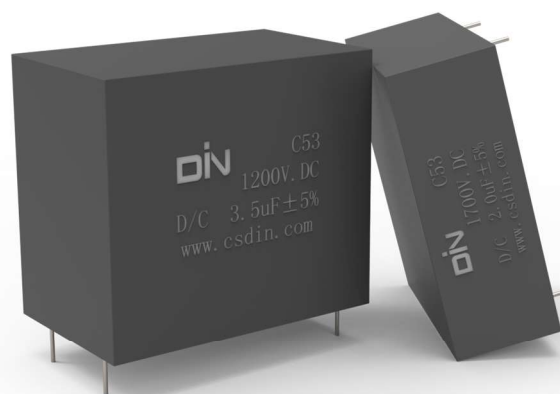
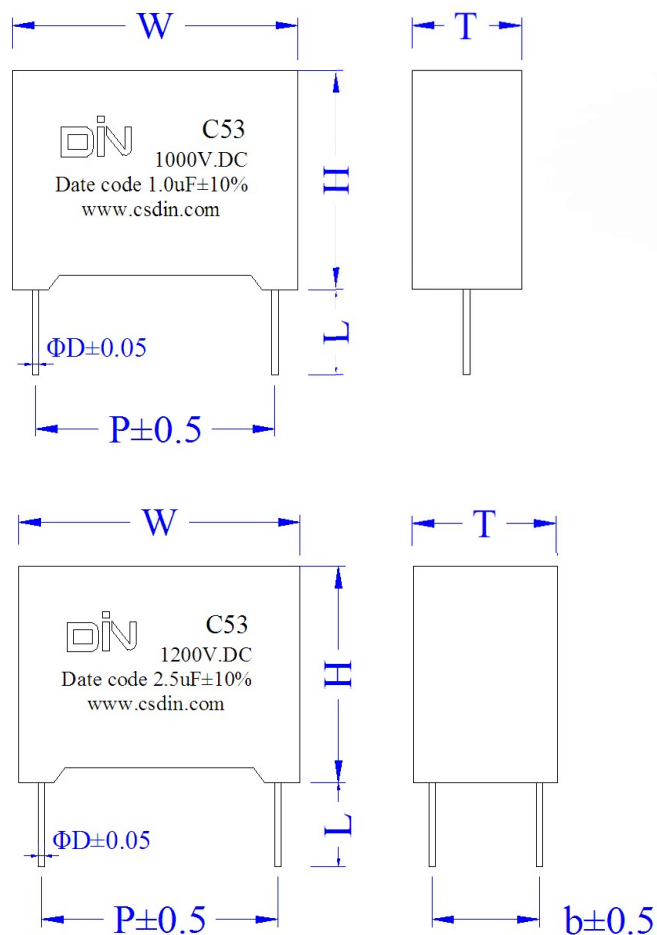


## C53 系列 SERIES

### 外形图 Outline Drawing



### 特点

- 塑料外壳封装，阻燃（UL 94V-0 级）树脂灌封
- 等效串联电阻小，自感小
- 损耗小，内部温升小

### 主要用途

- 高压脉冲，高频应用
- 适合作为 IGBT 的吸收电容（PCB 板用）

### Features

- Plastic case, epoxy resin sealing (UL 94V-0)
- Low ESR, Low ESL
- Low loss and small inherent temperature rise

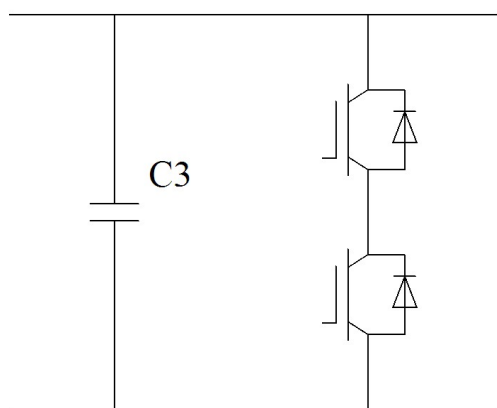
### Typical application

- For high pulse and high frequency application
- Especially designed as snubber capacitor for IGBT(to PCB)

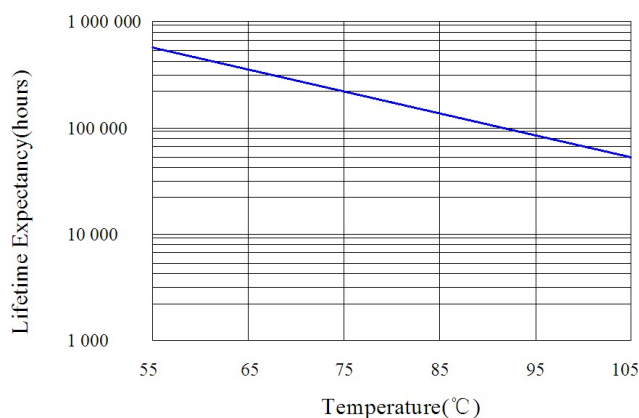
■ 技术参数 Technical Specifications

项目 Items	性能要求 Characteristics
引用标准/Reference standards	GB/T 17702 IEC 61071
容量范围/Capacitance	0.047 $\mu$ F ~9.0 $\mu$ F
额定电压/Rated Voltage	630V.DC~3000V.DC
容量偏差/Tolerance	$\pm$ 5% $\pm$ 10%
损耗角正切/Dissipation factor	$\text{tg}\delta \leq 10 \times 10^{-4}$ at 25 $^{\circ}$ C $\pm$ 5 $^{\circ}$ C,1KHz
绝缘电阻/Insulation resistance	C·R $\geq$ 5000S,at500V.DC,25 $^{\circ}$ C $\pm$ 5 $^{\circ}$ C,60s
工作温度范围/Operating temperature range	-40 $^{\circ}$ C ~85 $^{\circ}$ C
极间耐电压/Test voltage between terminals	1.5Un (10S,25 $^{\circ}$ C $\pm$ 5 $^{\circ}$ C)
极壳耐电压/Test voltage between terminals and case	3000V.AC(10S,50/60Hz,25 $^{\circ}$ C $\pm$ 5 $^{\circ}$ C)
最高使用海拔/Max Altitude	2000m
预期寿命/Expected lifetime	100 000hrs @ Un,0hs=70 $^{\circ}$ C
失效率/Failure rate	100FIT

■ 典型线路/Typical circuit



■ 预期寿命曲线/ Expected lifetime curve



■ 产品编码说明/Part number code system

▲ 18 位产品代码如下:

▲ The 18 digits part number is formed as follow:

C	5	3															
1	2	3	4	5	6	7	8	9	10	11	12	13	14	15	16	17	18

1~3 位: 型号代码

Digit 1~3: Series code

4~6 位: 标称容量

Digit 4~6: Rated capacitance value

如: 104=10×10<sup>4</sup>PF=0.1uF

Example: 104=10×10<sup>4</sup>PF=0.1uF

7~10 位: 内部特征码

Digit 7~10: Internal use

11 位: 容量偏差

Digit 11: Capacitance tolerance

J=±5%、K=±10%、M=±20%

J=±5%、K=±10%、M=±20%

12~13 位: 额定电压

Digit 12~13: Rated voltage

25=630V、29=850V、3A=1000V

25=630V、29=850V、3A=1000V

3C=1200V、3H=1600V、3I=1700V

3C=1200V、3H=1600V、3I=1700V

3K=2000V、3N=2500V、3S=3000V

3K=2000V、3N=2500V、3S=3000V

14~16 位: 引出端代码

Digit 14~16: Terminal code

14位 Digit 14		15位 Digit 15		16位 Digit 16	
代码 Code	电极 Electrode	代码 Code	脚型 Lead kinked	代码 Code	脚长偏差 Length tolerance
3	0.8CU	A	2引线	0	L±1.0mm
4	1.0CU	B	4引线b=5.1mm	A	L±0.5mm
5	1.2CU	D	4引线b=10.2mm		
		H	4引线b=20.3mm		

17~18 位: 脚长

Digit 17~18: Lead length

00=5.5mm, 38=3.8mm, 40=4.0mm

00=5.5mm, 38=3.8mm, 40=4.0mm

■ **标准品一览表 Standard size**

静电容量 Cap(uF)	Outline size (mm)			P ±0.5	b ±0.5	d ±0.5	dv/dt (V/us)	ESR @100kHz (mΩ)	I <sub>rms</sub> @70°C/100KHZ (A)	L <sub>s</sub> (nH)	Part number
	W	H	T								
Un: 630V.DC/700V.DC/420V.AC											
0.68	37.0	25.0	15.0	32.5	-	1.2	900	6.0	11	23	C53684**I*□255AA00
0.68	"	"	"	"	5.1	"	"	5.0	13	"	C53684**I*□255BA00
1.0	"	30.0	16.0	"	-	"	"	6.0	12	"	C53105**I*□255AA00
1.0	"	"	"	"	5.1	"	"	5.0	14	"	C53105**I*□255BA00
1.2	"	"	"	"	-	"	"	5.5	"	"	C53125**I*□255AA00
1.2	"	"	"	"	5.1	"	"	4.5	16	"	C53125**I*□255BA00
1.5	"	34.0	20.0	"	-	"	"	5.5	14	"	C53155**I*□255AA00
1.5	"	"	"	"	10.2	1.0	"	4.5	17	"	C53155**I*□254DA00
1.8	"	"	"	"	-	1.2	"	5.5	14	"	C53185**I*□255AA00
1.8	"	"	"	"	10.2	1.0	"	4.5	18	"	C53185**I*□254DA00
2.0	42.0	40.0	"	37.5	-	1.2	600	5.0	14	29	C53205**J*□255AA00
2.0	"	"	"	"	10.2	"	"	4.0	18	"	C53205**J*□254DA00
2.2	"	"	"	"	-	"	"	5.0	14	"	C53225**J*□255AA00
2.2	"	"	"	"	10.2	"	"	4.0	18.5	"	C53225**J*□255DA00
2.5	"	"	"	"	-	"	"	5.0	14	"	C53255**J*□255AA00
2.5	"	"	"	"	10.2	"	"	4.0	19	"	C53255**J*□255DA00
3.0	"	44.0	24.0	"	-	"	"	5.0	14	"	C53305**J*□255AA00
3.0	"	"	"	"	10.2	"	"	4.0	20	"	C53305**J*□255DA00
3.3	"	"	"	"	-	"	"	4.5	14	"	C53335**J*□255AA00
3.3	"	"	"	"	10.2	"	"	3.5	20	"	C53335**J*□255DA00
4.0	"	"	"	"	-	"	"	4.5	14	"	C53405**J*□255AA00
4.0	"	"	"	"	10.2	"	"	3.5	21	"	C53405**J*□255DA00
4.7	"	45.0	30.0	"	20.3	"	"	"	23	"	C53475**J*□255HA00
5.0	"	"	"	"	"	"	"	3.0	23.5	"	C53505**J*□255HA00
6.0	"	43.0	42.0	"	"	"	"	"	25	"	C53605**J*□255HA00
6.5	"	"	"	"	"	"	"	"	26	"	C53655**J*□255HA00
6.5	57.0	43.5	29.5	52.5	"	"	360	2.5	24	33	C53655**M*□255HA00
7.0	"	"	"	"	"	"	"	"	25	"	C53705**M*□255HA00
8.0	"	50.0	35.0	"	"	"	"	"	27	"	C53805**M*□255HA00
9.0	"	"	"	"	"	"	"	"	28	"	C53905**M*□255HA00

◇ 备注：特殊需要可根据客户要求另行设计

◇ Note: Special requirements can be designed according to customer requirements

■ 标准品一览表 Standard size

静电容量 Cap(uF)	Outline size (mm)			P ±0.5	b ±0.5	d ±0.5	dv/dt (V/us)	ESR @100kHz (mΩ)	I <sub>rms</sub> @70°C/100KHZ (A)	L <sub>s</sub> (nH)	Part number
	W	H	T								
Un: 850V.DC/450V.AC											
0.47	37.0	25.0	15.0	32.5	-	1.2	1200	6.0	13	23	C53474**I*□295AA00
0.47	"	"	"	"	5.1	1.0	"	5.0	15	"	C53474**I*□294BA00
0.68	"	30.0	16.0	"	-	1.2	"	6.0	14	"	C53684**I*□295AA00
0.68	"	"	"	"	5.1	1.0	"	5.0	16	"	C53684**I*□294BA00
1.0	"	34.0	20.0	"	-	1.2	"	6.0	14	"	C53105**I*□295AA00
1.0	"	"	"	"	10.2	1.0	"	5.0	17	"	C53105**I*□294DA00
1.2	"	"	"	"	-	1.2	"	6.0	14	"	C53125**I*□295AA00
1.2	"	"	"	"	10.2	1.0	"	5.0	17.5	"	C53125**I*□294DA00
1.5	"	"	"	"	-	1.2	"	6.0	14	"	C53155**I*□295AA00
1.5	"	"	"	"	10.2	1.0	"	5.0	18	"	C53155**I*□294DA00
1.5	42.0	40.0	"	37.5	-	1.2	750	5.5	14	29	C53155**J*□295AA00
1.5	"	"	"	"	10.2	"	"	4.5	18.5	"	C53155**J*□295DA00
2.0	"	"	"	"	-	"	"	5.5	14	"	C53205**J*□295AA00
2.0	"	"	"	"	10.2	"	"	4.5	19	"	C53205**J*□295DA00
2.2	"	"	"	"	-	"	"	5.5	14	"	C53225**J*□295AA00
2.2	"	"	"	"	10.2	"	"	4.5	19.5	"	C53225**J*□295DA00
2.5	"	44.0	24.0	"	-	"	"	5.5	14	"	C53255**J*□295AA00
2.5	"	"	"	"	10.2	"	"	4.5	20	"	C53255**J*□295DA00
3.0	"	"	"	"	-	"	"	5.5	14	"	C53305**J*□295AA00
3.0	"	"	"	"	10.2	"	"	4.5	21	"	C53305**J*□295DA00
3.3	"	45.0	30.0	"	20.3	"	"	"	21.5	"	C53335**J*□295HA00
4.0	"	43.0	42.0	"	"	"	"	"	22	"	C53405**J*□295HA00
4.0	57.0	43.5	59.5	52.5	"	"	450	4.0	23	33	C53405**M*□295HA00
4.7	"	"	"	"	"	"	"	"	24.5	"	C53475**M*□295HA00
5.0	"	"	"	"	"	"	"	"	25	"	C53505**M*□295HA00
6.0	"	50.0	35.0	"	"	"	"	"	26	"	C53605**M*□295HA00
6.5	"	"	"	"	"	"	"	"	27	"	C53655**M*□295HA00

◇ 备注：特殊需要可根据客户要求另行设计

◇ Note: Special requirements can be designed according to customer requirements

■ 标准品一览表 Standard size

静电容量 Cap(uF)	Outline size (mm)			P ±0.5	b ±0.5	d ±0.5	dv/dt (V/us)	ESR @100kHz (mΩ)	I <sub>rms</sub> @70°C/100KHZ (A)	L <sub>s</sub> (nH)	Part number
	W	H	T								
Un: 1000V.DC/500V.AC											
0.47	37.0	25.0	15.0	32.5	-	1.2	1300	6.0	12	23	C53474**I*□3A5AA00
0.47	"	"	"	"	5.1	1.0	"	5.0	14	"	C53474**I*□3A4BA00
0.68	"	30.0	16.0	"	-	1.2	"	6.0	13	"	C53684**I*□3A5AA00
0.68	"	"	"	"	5.1	1.0	"	5.0	15	"	C53684**I*□3A4BA00
0.82	"	"	"	"	-	1.2	"	6.0	14	"	C53824**I*□3A5AA00
0.82	"	"	"	"	5.1	1.0	"	5.0	16	"	C53824**I*□3A4BA00
1.0	"	34.0	20.0	"	-	1.2	"	5.5	14	"	C53105**I*□3A5AA00
1.0	"	"	"	"	10.2	1.0	"	4.5	17	"	C53105**I*□3A4DA00
1.2	"	"	"	"	-	1.2	"	5.5	14	"	C53125**I*□3A5AA00
1.2	"	"	"	"	10.2	1.0	"	4.5	17	"	C53125**I*□3A4DA00
1.2	42.0	40.0	"	37.5	-	1.2	850	5.5	14	29	C53125**J*□3A5AA00
1.2	"	"	"	"	10.2	"	"	4.5	16	"	C53125**J*□3A5DA00
1.5	"	"	"	"	-	"	"	5.5	14	"	C53155**J*□3A5AA00
1.5	"	"	"	"	10.2	"	"	4.5	16	"	C53155**J*□3A5DA00
2.0	"	44.0	24.0	"	-	"	"	5.5	14	"	C53205**J*□3A5AA00
2.0	"	"	"	"	10.2	"	"	4.5	17	"	C53205**J*□3A5DA00
2.2	"	"	"	"	-	"	"	5.0	14	"	C53225**J*□3A5AA00
2.2	"	"	"	"	10.2	"	"	4.0	20	"	C53225**J*□3A5DA00
2.5	"	45.0	30.0	"	20.3	"	"	"	21	"	C53255**J*□3A5HA00
3.0	"	"	"	"	"	"	"	"	21.5	"	C53305**J*□3A5HA00
3.3	"	43.0	42.0	"	"	"	"	"	22	"	C53335**J*□3A5HA00
3.3	57.0	43.5	29.5	52.5	"	"	500	"	20	33	C53335**M*□3A5HA00
4.0	"	"	"	"	"	"	"	"	21	"	C53405**M*□3A5HA00
4.7	"	"	"	"	"	"	"	"	22	"	C53475**M*□3A5HA00
5.0	"	"	"	"	"	"	"	"	23	"	C53505**M*□3A5HA00

◇ 备注：特殊需要可根据客户要求另行设计

◇ Note: Special requirements can be designed according to customer requirements

■ 标准品一览表 Standard size

静电容量 Cap(uF)	Outline size (mm)			P ±0.5	b ±0.5	d ±0.5	dv/dt (V/us)	ESR @100kHz (mΩ)	I <sub>rms</sub> @70°C/100KHZ (A)	L <sub>s</sub> (nH)	Part number
	W	H	T								
Un: 1200V.DC/600V.AC											
0.33	37.0	25.0	15.0	32.5	-	1.2	1500	6.5	11.5	23	C53334**I*□3C5AA00
0.33	"	"	"	"	5.1	1.0	"	5.5	13.5	"	C53334**I*□3C4BA00
0.47	"	30.0	16.0	"	-	1.2	"	6.5	12	"	C53474**I*□3C5AA00
0.47	"	"	"	"	5.1	1.0	"	5.5	14	"	C53474**I*□3C4BA00
0.68	"	34.0	20.0	"	-	1.2	"	6.5	13	"	C53684**I*□3C5AA00
0.68	"	"	"	"	10.2	1.0	"	5.5	15	"	C53684**I*□3C4DA00
0.75	"	"	"	"	-	1.2	"	6.5	14	"	C53754**I*□3C5AA00
0.75	"	"	"	"	10.2	1.0	"	5.5	16	"	C53754**I*□3C4DA00
0.82	42.0	40.0	"	37.5	-	1.2	950	6.0	14	29	C53824**J*□3C5AA00
0.82	"	"	"	"	10.2	"	"	5.0	16	"	C53824**J*□3C5DA00
1.0	"	"	"	"	-	"	"	6.0	14	"	C53105**J*□3C5AA00
1.0	"	"	"	"	10.2	"	"	5.0	17	"	C53105**J*□3C5DA00
1.2	"	44.0	24.0	"	-	"	"	5.5	14	"	C53125**J*□3C5AA00
1.2	"	"	"	"	10.2	"	"	4.5	17	"	C53125**J*□3C5DA00
1.5	"	"	"	"	-	"	"	5.5	14	"	C53155**J*□3C5AA00
1.5	"	"	"	"	10.2	"	"	4.5	17.5	"	C53155**J*□3C5DA00
2.0	"	45.0	30.0	"	20.3	"	"	"	18	"	C53205**J*□3C5HA00
2.2	"	43.0	42.0	"	"	"	600	"	19	"	C53225**J*□3C5HA00
2.5	"	"	"	"	"	"	"	"	20	"	C53255**J*□3C5HA00
2.2	57.0	43.5	29.5	52.5	"	"	"	4.0	18	33	C53225**M*□3C5HA00
2.5	"	"	"	"	"	"	"	"	19	"	C53255**M*□3C5HA00
3.0	"	50.0	35.0	"	"	"	"	"	20	"	C53305**M*□3C5HA00
3.3	"	"	"	"	"	"	"	"	21	"	C53335**M*□3C5HA00
3.5	"	"	"	"	"	"	"	"	22	"	C53355**M*□3C5HA00

◇ 备注：特殊需要可根据客户要求另行设计

◇ Note: Special requirements can be designed according to customer requirements

■ **标准品一览表 Standard size**

静电容量 Cap(uF)	Outline size (mm)			P ±0.5	b ±0.5	d ±0.5	dv/dt (V/us)	ESR @100kHz (mΩ)	Irms @70°C/100KHZ (A)	Ls (nH)	Part number
	W	H	T								
<b>Un: 1600V.DC/650V.AC</b>											
0.22	37.0	25.0	15.0	32.5	-	1.2	1900	7.5	11	23	C53224**I*□3H5AA00
0.22	"	"	"	"	5.1	1.0	"	6.5	13	"	C53224**I*□3H4BA00
0.33	"	30.0	16.0	"	-	1.2	"	7.5	11.5	"	C53334**I*□3H5AA00
0.33	"	"	"	"	5.1	1.0	"	6.5	13.5	"	C53334**I*□3H4BA00
0.39	"	33.0	18.0	"	-	1.2	"	7.0	12	"	C53394**I*□3H5AA00
0.39	"	"	"	"	5.1	1.0	"	6.0	14	"	C53394**I*□3H4BA00
0.47	"	34.0	20.0	"	-	1.2	"	7.0	13	"	C53474**I*□3H5AA00
0.47	"	"	"	"	10.2	1.0	"	6.0	15	"	C53474**I*□3H4DA00
0.68	42.0	40.0	"	37.5	-	1.2	1250	4.0	14	29	C53684**J*□3H5AA00
0.68	"	"	"	"	10.2	"	"	"	16	"	C53684**J*□3H5DA00
0.82	"	44.0	24.0	"	-	"	"	"	14	"	C53824**J*□3H5AA00
0.82	"	"	"	"	10.2	"	"	"	17	"	C53824**J*□3H5DA00
1.0	"	45.0	30.0	"	20.3	"	"	"	17.5	"	C53105**J*□3H5HA00
1.2	"	43.0	"	"	"	"	"	"	18	"	C53125**J*□3H5HA00
1.5	"	43.5	42.0	"	"	"	"	"	19	"	C53155**J*□3H5HA00
1.5	57.0	50.0	29.5	52.5	"	"	750	"	20	33	C53155**M*□3H5HA00
2.0	"	"	35.0	"	"	"	"	"	22	"	C53205**M*□3H5HA00
<b>Un: 1700V.DC/675V.AC</b>											
0.15	37.0	25.0	15.0	32.5	-	1.2	2000	8.5	10	23	C53154**I*□3I5AA00
0.15	"	"	"	"	5.1	1.0	"	7.5	12	"	C53154**I*□3I4BA00
0.22	"	30.0	16.0	"	-	1.2	"	"	11	"	C53224**I*□3I5AA00
0.22	"	"	"	"	5.1	1.0	"	6.5	13	"	C53224**I*□3I4BA00
0.33	"	34.0	20.0	"	-	1.2	"	7.0	11.5	"	C53334**I*□3I5AA00
0.33	"	"	"	"	10.2	1.0	"	6.0	13.5	"	C53334**I*□3I4DA00
0.39	"	"	"	"	-	1.2	"	7.0	12	"	C53394**I*□3I5AA00
0.39	"	"	"	"	10.2	1.0	"	6.0	14	"	C53394**I*□3I4DA00
0.47	42.0	36.0	24.0	37.5	-	1.2	1260	"	12	29	C53474**J*□3I5AA00
0.47	"	"	"	"	10.2	"	"	5.0	14	"	C53474**J*□3I5DA00
0.56	"	"	"	"	-	"	"	6.0	13	"	C53564**J*□3I5AA00
0.56	"	"	"	"	10.2	"	"	5.0	15	"	C53564**J*□3I5DA00
0.68	"	44.0	"	"	-	"	"	6.0	14	"	C53684**J*□3I5AA00
0.68	"	"	"	"	10.2	"	"	"	16	"	C53684**J*□3I5DA00
0.82	"	"	"	"	-	"	"	5.5	14	"	C53824**J*□3I5AA00
0.82	"	"	"	"	10.2	"	"	4.5	17	"	C53824**J*□3I5DA00
1.0	"	45.0	30.0	"	20.3	"	"	"	18	"	C53105**J*□3I5HA00
1.2	"	43.0	42.0	"	"	"	"	"	19	"	C53125**J*□3I5HA00
1.0	57.0	45.0	25.0	52.5	"	"	780	4.0	16	33	C53105**M*□3I5HA00
1.2	"	43.5	29.5	"	"	"	"	"	17	"	C53125**M*□3I5HA00
1.5	"	"	"	"	"	"	"	"	20	"	C53155**M*□3I5HA00
2.0	"	50.0	35.0	"	"	"	"	"	22	"	C53205**M*□3I5HA00

◇ 备注：特殊需要可根据客户要求另行设计

◇ Note: Special requirements can be designed according to customer requirements



■ 标准品一览表 Standard size

静电容量 Cap(uF)	Outline size (mm)			P ±0.5	b ±0.5	d ±0.5	dv/dt (V/us)	ESR @100kHz (mΩ)	Irms @70°C/100KHZ (A)	Ls (nH)	Part number
	W	H	T								
<b>Un: 2000V.DC/700V.AC</b>											
0.10	37.0	25.0	25.0	32.5	-	1.2	2241	9.5	10	23	C53104**I*□3K5AA00
0.10	"	"	"	"	5.1	1.0	"	8.5	12	"	C53104**I*□3K4BA00
0.15	"	"	"	"	-	1.2	"	9.5	11	"	C53154**I*□3K5AA00
0.15	"	"	"	"	5.1	1.0	"	8.5	13	"	C53154**I*□3K4BA00
0.22	"	30.0	16.0	"	-	1.2	"	7.5	11.5	"	C53224**I*□3K5AA00
0.22	"	"	"	"	5.1	1.0	"	6.5	13.5	"	C53224**I*□3K4BA00
0.33	"	34.0	20.0	"	-	1.2	"	7.5	12	"	C53334**I*□3K5AA00
0.33	"	"	"	"	10.2	1.0	"	6.5	14	"	C53334**I*□3K4DA00
0.47	42.0	40.0	"	37.5	-	1.2	1300	6.0	13	29	C53474**J*□3K5AA00
0.47	"	"	"	"	10.2	"	"	5.0	15	"	C53474**J*□3K5DA00
0.56	"	44.0	24.0	"	-	"	"	6.0	14	"	C53564**J*□3K5AA00
0.56	"	"	"	"	10.2	"	"	5.0	16	"	C53564**J*□3K5DA00
0.68	"	"	"	"	-	"	"	5.5	14	"	C53684**J*□3K5AA00
0.68	"	"	"	"	10.2	"	"	4.5	16.5	"	C53684**J*□3K5DA00
0.82	"	45.0	30.0	"	20.3	"	"	"	17	"	C53824**J*□3K5HA00
1.0	"	43.0	42.0	"	"	"	"	"	19	"	C53105**J*□3K5HA00
1.0	57.0	43.5	29.5	52.5	"	"	850	"	20	33	C53105**M*□3K5HA00
1.2	"	"	"	"	"	"	"	"	21	"	C53125**M*□3K5HA00
1.5	"	50.0	35.0	"	"	"	"	"	22	"	C53155**M*□3K5HA00
<b>Un: 2500V.DC/725V.AC</b>											
0.068	37.0	25.0	15.0	32.5	-	1.2	3230	10.0	10	23	C53683**I*□3N5AA00
0.068	"	"	"	"	5.1	1.0	"	9.0	12	"	C53683**I*□3N4BA00
0.10	"	30.0	16.0	"	-	1.2	"	10.0	11	"	C53104**I*□3N5AA00
0.10	"	"	"	"	5.1	1.0	"	9.0	13	"	C53104**I*□3N4BA00
0.15	"	34.0	20.0	"	-	1.2	"	9.5	12	"	C53154**I*□3N5AA00
0.15	"	"	"	"	10.2	1.0	"	8.5	14	"	C53154**I*□3N4DA00
0.18	"	"	"	"	-	1.2	"	9.0	13	"	C53184**I*□3N5AA00
0.18	"	"	"	"	10.2	1.0	"	8.0	15	"	C53184**I*□3N4DA00
0.22	42.0	40.0	"	37.5	-	1.2	2100	5.5	13	29	C53224**J*□3N5AA00
0.22	"	"	"	"	10.2	"	"	4.5	15	"	C53224**J*□3N5DA00
0.33	"	44.0	24.0	"	-	"	"	5.5	13	"	C53334**J*□3N5AA00
0.33	"	"	"	"	10.2	"	"	4.5	15.2	"	C53334**J*□3N5DA00
0.47	"	45.0	30.0	"	20.3	"	"	4.0	16	"	C53474**J*□3N5HA00
0.68	"	43.0	42.0	"	"	"	"	"	16.5	"	C53684**J*□3N5HA00
0.68	57.0	43.5	29.5	52.5	"	"	1200	"	17	33	C53684**M*□3N5HA00
1.0	"	50.0	35.0	"	"	"	"	"	17.5	"	C53105**M*□3N5HA00

◇ 备注：特殊需要可根据客户要求另行设计

◇ Note: Special requirements can be designed according to customer requirements

■ 标准品一览表 Standard size

静电容量 Cap(uF)	Outline size (mm)			P ±0.5	b ±0.5	d ±0.5	dv/dt (V/us)	ESR @100kHz (mΩ)	I <sub>rms</sub> @70°C/100KHZ (A)	L <sub>s</sub> (nH)	Part number
	W	H	T								
Un: 3000V.DC/750V.AC											
0.047	37.0	25.0	15.0	32.5	-	1.2	3361	10.5	9	23	C53473**I*□3S5AA00
0.047	"	"	"	"	5.1	1.0	"	9.5	11	"	C53473**I*□3S4BA00
0.068	"	30.0	16.0	"	-	1.2	"	10.0	10	"	C53683**I*□3S5AA00
0.068	"	"	"	"	5.1	1.0	"	9.0	12	"	C53683**I*□3S4BA00
0.10	"	34.0	20.0	"	-	1.2	"	9.5	11	"	C53104**I*□3S5AA00
0.10	"	"	"	"	10.2	1.0	"	8.5	13	"	C53104**I*□3S4DA00
0.15	"	"	"	"	-	1.2	"	9.0	11.5	"	C53154**I*□3S5AA00
0.15	"	"	"	"	10.2	1.0	"	8.0	13.5	"	C53154**I*□3S4DA00
0.22	42.0	40.0	"	37.5	-	1.2	2050	7.0	12	29	C53224**J*□3S5AA00
0.22	"	"	"	"	10.2	"	"	6.0	14	"	C53224**J*□3S5DA00
0.33	"	45.0	30.0	"	20.3	"	"	5.5	14.5	"	C53334**J*□3S5HA00
0.47	"	43.0	42.0	"	"	"	"	5.0	16	"	C53474**J*□3S5HA00
0.47	57.0	43.5	29.5	52.5	"	"	1200	"	16.5	33	C53334**M*□3S5HA00
0.68	"	50.0	35.0	"	"	"	"	"	17	"	C53684**M*□3S5HA00
0.82	"	"	"	"	"	"	"	4.5	18	"	C53824**M*□3S5HA00

- ◇ 备注：特殊需要可根据客户要求另行设计
- ◇ Note: Special requirements can be designed according to customer requirements
- ◇ 1.“\*\*”、“\*”表示内部特征码；“\*\*”、“\*”=Internal use
- ◇ 2.“□”表示容量偏差；“□”= Capacitance tolerance