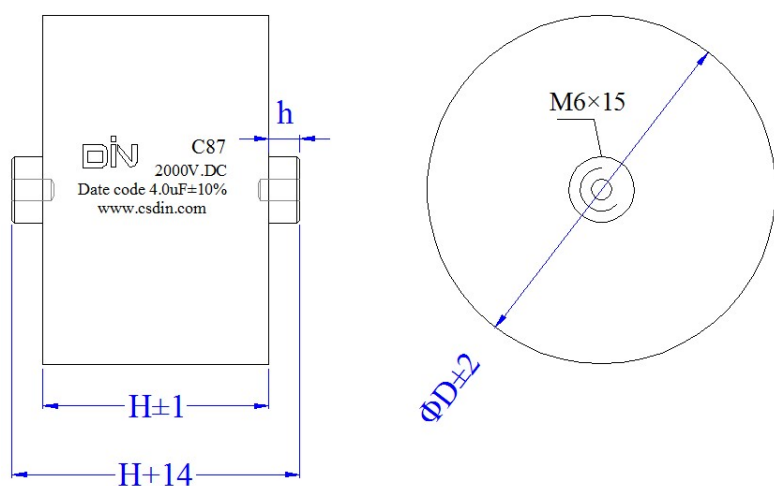


C87 系列 SERIES

■ 外形图 Outline Drawing



■ 特点

- 自感小、等效串联电阻小
- 高脉冲电流、高 dv/dt 承受能力
- 高频大电流承受能力

■ 主要用途

- 广泛应用于电焊机，电源，感应加热设备等谐振场合；

■ Features

- Low ESL, Low ESR
- High pulse Current, high dv/dt characteristics,
- High frequency and high current endurance

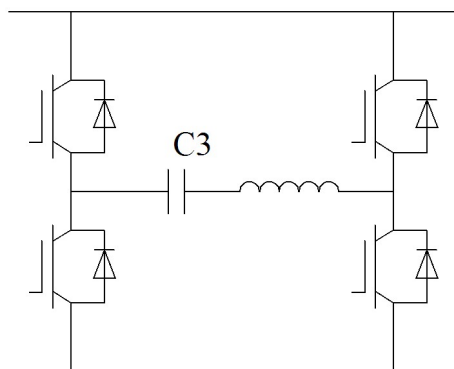
■ Typical application

- Widely used in Welding, power supplies, induction heating equipment resonance occasions.

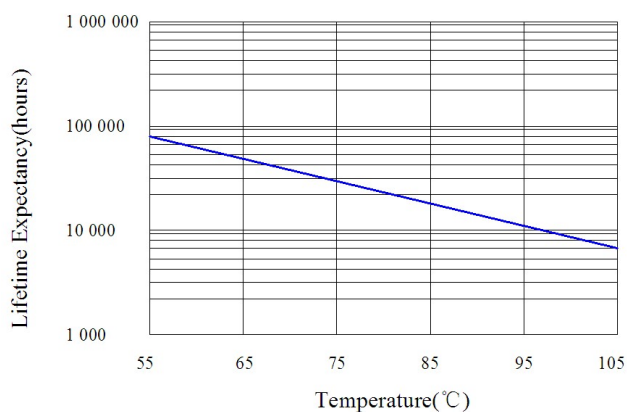
■ 技术参数 Technical Specifications

项目 Items	性能要求 Characteristics
引用标准/Reference standards	GB/T 17702 IEC 61071
工作温度范围/Operating temperature range	-40℃~85℃
容量范围/Capacitance	1μF ~8μF
额定电压/Rated Voltage	1200V.DC~4000V.DC
容量偏差/Tolerance	±5% ±10%
损耗角正切/Dissipation factor	$tg\delta \leq 10 \times 10^{-4}$ at 25℃±5℃,10KHz
绝缘电阻/Insulation resistance	$C \cdot R \geq 5000S$, at 100V.DC, 25℃±5℃, 60s
极间耐电压/Test voltage between terminals	1.5Un (10S, 25℃±5℃)
极壳耐电压/Test voltage between terminals and case	3000V.AC(10S, 50/60Hz, 25℃±5℃)
最大安装扭矩/ Max. Torque of Installation	5.0Nm
最大电极扭矩/Max. Torque of terminals	M6:3.0Nm M8:5.0Nm
最高使用海拔/Max Altitude	2000m

■ 典型线路/Typical circuit



■ 预期寿命曲线/ Expected lifetime curve



■ 产品编码说明/Part number code system

▲ 18 位产品代码如下:

▲ The 18 digits part number is formed as follow:

C	8	7															
1	2	3	4	5	6	7	8	9	10	11	12	13	14	15	16	17	18

1~3 位: 型号代码

Digit 1~3: Series code

4~6 位: 标称容量

Digit 4~6: Rated capacitance value

如: 104=10×10⁴PF=0.1uF

Example: 104=10×10⁴PF=0.1uF

7~10 位: 内部特征码

Digit 7~10: Internal use

11 位: 容量偏差

Digit 11: Capacitance tolerance

J=±5%、K=±10%、M=±20%

J=±5%、K=±10%、M=±20%

12~13 位: 额定电压

Digit 12~13: Rated voltage

3C=1200V、3K=2000V、3S=3000V

24=600V、28=800V、20=900V

3W=4000V、3E=1300V、3F=1400V

3B=1100V、3E=1300V、3F=1400V

3G=1500V

3G=1500V

14~15 位: 外形尺寸代码

Digit 14~15: Dimension code

14位 Digit 14		15位 Digit 15	
代码 Code	胶带宽 Tape width	代码 Code	引出端规格 Specifications of terminal
E	40mm	B	螺母M6*15*10
F	46mm	C	螺母M8*15*10
I	60mm		

16~17位: h高度

16~17位: Height for h

70=7.0mm 75=7.5mm ...

70=7.0mm 75=7.5mm ...

18 位: 安装形式

Digit18: Fix style

代码 Code	N	B	C
支架 Bracket	无支架	Φ15*49	Φ15*58

■ 标准品一览表 Standard size

静电容量 Cap(uF)	Outline size (mm)			ESR @100KHZ (A)	Ls (nH)	dv/dt (V/us)	İ (A)	I _{rms} @25°C/100KHZ (A)	容量 (kVar)	Part number
	ΦD (mm)	H (mm)	H1 (mm)							
Un=1200V. DC, Urms: 500V. AC, Upeak: 710V. DC										
1.5	46	36	50	3.2	25	800	1200	45	20.3	C87155****□3CD*70○
2.0	53	“	“	2.4	“	750	1500	50	22.5	C87205****□3CD*70○
2.0	38	46	60	2.4	28	720	1440	33	14.9	C87205****□3CF*70○
3.0	64	36	50	1.6	23	680	2040	60	27.0	C87305****□3CD*70○
3.0	45	46	60	2.1	27	620	1860	40	18.0	C87305****□3CF*70○
4.0	52	“	“	1.6	26	550	2200	45	20.3	C87405****□3CF*70○
5.0	58	“	“	1.3	25	500	2500	53	23.9	C87505****□3CF*70○
6.0	63	“	“	1.1	23	450	2700	58	26.1	C87605****□3CF*70○
7.0	68	“	“	0.9	22	450	3150	60	27.0	C87705****□3CF*70○
8.0	73	“	“	0.8	20	400	3200	65	29.3	C87805****□3CF*70○
Un=2000V. DC, Urms: 750V. AC, Upeak: 1050V. DC										
1.0	41	40	54	4.0	27	1100	1100	38	25.7	C87105****□3KE*70○
1.5	50	“	“	2.7	26	1000	1500	48	32.4	C87155****□3KE*70○
2.0	58	“	“	2.0	25	900	1800	55	37.1	C87205****□3KE*70○
2.0	49	46	60	2.0	26	850	1700	45	30.4	C87205****□3KF*70○
3.0	70	40	54	1.3	23	750	2250	65	43.9	C87305****□3KE*70○
3.0	59	46	60	1.9	25	650	1950	55	37.1	C87305****□3KF*70○
4.0	81	40	54	1.4	22	600	2400	75	50.6	C87405****□3KE*70○
4.0	68	46	60	1.4	23	550	2200	62	41.9	C87405****□3KF*70○
5.0	76	“	“	1.1	22	500	2500	70	47.3	C87505****□3KF*70○
6.0	83	“	“	0.9	21	480	2880	75	50.6	C87605****□3KF*70○
Un=3000V. DC, Urms: 1200V. AC, Upeak: 1700V. DC										
0.33	43	46	60	7.2	26	1800	594	40	43.2	C87334****□3SF*70○
0.47	51	“	“	--	25	1700	799	48	51.8	C87474****□3SF*70○
0.50	53	“	“	4.8	“	1600	800	50	54.0	C87504****□3SF*70○
0.68	61	“	“	3.5	24	1500	1020	46	60.5	C87684****□3SF*70○
0.75	64	“	“	3.2	“	1400	1050	60	64.8	C87754****□3SF*70○
0.8	66	“	“	4.0	23	1350	1080	62	67.0	C87804****□3SF*70○
1.0	74	“	“	3.2	22	1300	1300	70	75.6	C87105****□3SF*70○
1.2	81	“	“	2.7	21	1250	1500	75	81.0	C87125****□3SF*70○
1.5	90	“	“	2.1	20	1200	1800	80	86.4	C87155****□3SF*70○

◇ 备注：特殊需要可根据客户要求另行设计

◇ Note: Special requirements can be designed according to customer requirements

■ 标准品一览表 Standard size

静电容量 Cap(uF)	Outline size (mm)			ESR @100KHZ (A)	Ls (nH)	dv/dt (V/us)	İ (A)	Irms @25°C/100KHZ (A)	容量 (kVar)	Part number
	ΦD (mm)	H (mm)	H1 (mm)							
Un=4000V. DC, Urms: 1500V. AC, Upeak:2100V. DC										
0.08	46	60	74	10.0	28	3000	240	40	51.0	C87803****□3WI*70○
0.1	51	“	“	8.0	27	2850	285	45	57.4	C87104****□3WI*70○
0.12	56	“	“	6.6	26	2750	330	50	63.8	C87124****□3WI*70○
0.15	63	“	“	8.5	25	2500	275	58	74.0	C87154****□3WI*70○
0.18	64	“	“	7.1	“	2400	432	60	76.5	C87184****□3WI*70○
0.25	80	“	“	5.1	23	2200	550	75	95.6	C87254****□3WI*70○
0.33	52	“	“	3.9	“	2000	660	48	61.2	C87334****□3WI*70○
0.47	62	“	“	5.1	22	1800	846	58	74.0	C87474****□3WI*70○
0.50	64	“	“	4.8	“	1700	850	60	76.5	C87504****□3WI*70○
0.68	75	“	“	3.5	20	1600	1088	70	89.3	C87684****□3WI*70○
0.75	78	“	“	3.2	“	1500	1125	72	91.8	C87754****□3WI*70○

- ◇ 备注：特殊需要可根据客户要求另行设计
- ◇ Note: Special requirements can be designed according to customer requirements
- ◇ 1.“****”表示内部特征码；“****”=Internal use
- ◇ 2.“□”表示容量偏差；“□”= Capacitance tolerance
- ◇ 3.“*”表示引出端型体；“*”= Specifications of terminals
- ◇ 4.“○”表示安装形式；“○”= Fix style