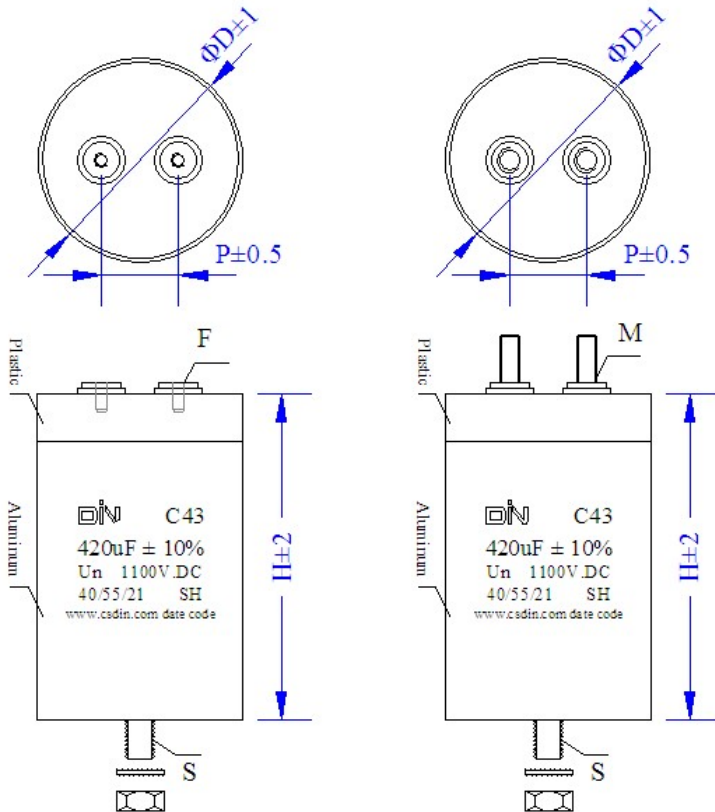


# C43 系列 SERIES

## ■ 外形图 Outline Drawing



Case (D)	Out put			Stud mounting
	M	F	P(mm)	S
76、86	M8×20	M6×10	32.0	M12×16
96~136	M8×20	M6×10	50.0	M12×16

## ■ 特点

- 金属铝外壳，阻燃（UL94V-0级）环氧封装
- 金属化聚丙烯薄膜无感式卷绕
- 等效串联电阻小，自感小
- 高频损耗小、高稳定性

## ■ 主要用途

- 风能发电、太阳能发电用变频器
- 交通工具，如：电动车和混合动力车
- 焊接设备，电梯，电机驱动

## ■ Features

- Aluminum case with resin sealing. Flame retardant execution (UL94V-0)
- Non-inductive winding with metalized polypropylene film
- Low ESR&Low ESL
- High frequency and low dissipation factor, high stability

## ■ Typical application

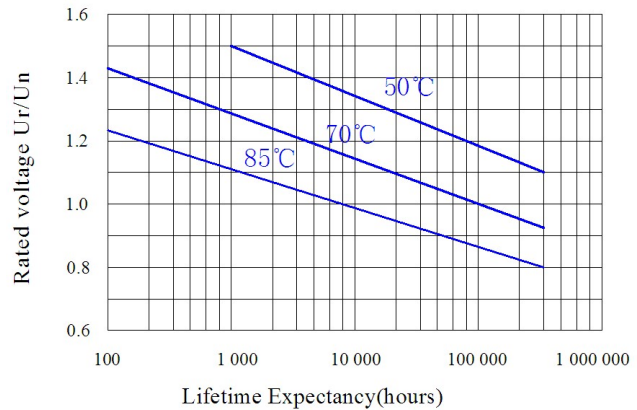
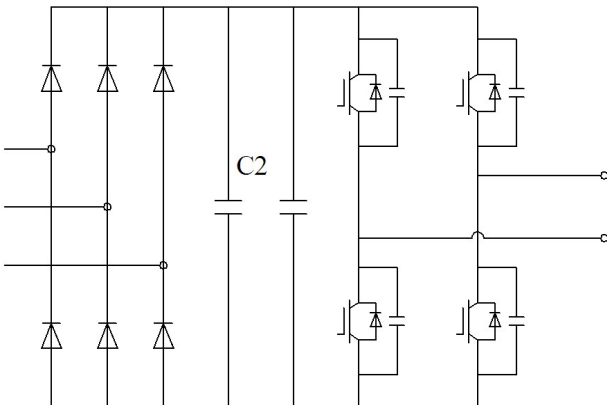
- Used in inverters of wind power and solar power
- Transportation: EV or HEV
- Welders, Elevators, Motor Driver systems

■ 技术参数 Technical Specifications

项目 Items	性能要求 Characteristics	
引用标准/Reference standards	GB/T 17702 IEC 61071	
容量范围/Capacitance	24 $\mu$ F ~5600 $\mu$ F	
额定电压/Rated Voltage	500V.DC~1200V.DC	
容量偏差/Tolerance	$\pm 5\%$ $\pm 10\%$	
损耗角正切/Dissipation factor	$\text{tg}\delta \leq 20 \times 10^{-4}$ at 25 $^{\circ}$ C $\pm 5^{\circ}$ C,100Hz	
绝缘电阻/Insulation resistance	C·R $\geq 5000$ S,at 100V.DC,25 $^{\circ}$ C $\pm 5^{\circ}$ C,60s	
工作温度范围/Operating temperature range	-40 $^{\circ}$ C~85 $^{\circ}$ C	
极间耐电压/Test voltage between terminals	1.5Un (10S,25 $^{\circ}$ C $\pm 5^{\circ}$ C)	
极壳耐电压/Test voltage between terminals and case	Un < 1500V.DC, 3000V.AC(10S,50/60Hz,25 $^{\circ}$ C $\pm 5^{\circ}$ C) Un $\geq$ 1500V.DC, ( $\sqrt{2}$ Un+1000)V.AC(10S,50/60Hz,25 $^{\circ}$ C $\pm 5^{\circ}$ C)	
过电压/Over voltage	1.1 Un	30% of the service period
	1.15 Un	30 min/day
	1.2 Un	5 min/day
	1.3 Un	1min/day
	1.5 Un	100ms no more than 1000 times
最高使用海拔/Max Altitude	2000m	
预期寿命/Expected lifetime	100 000hrs @ Un, $\theta_{hs}=70^{\circ}$ C	
失效率/Failure rate	100FIT	

■ 典型线路/Typical circuit

■ 预期寿命曲线/ Expected lifetime curve



■ **产品编码说明/Part number code system**

▲ 18 位产品代码如下:

▲ **The 18 digits part number is formed as follow:**

C	4	3															
1	2	3	4	5	6	7	8	9	10	11	12	13	14	15	16	17	18

1~3 位: 型号代码

Digit 1~3: Series code

4~6 位: 标称容量

Digit 4~6: Rated capacitance value

如: 104=10×10<sup>4</sup>PF=0.1uF

Example: 104=10×10<sup>4</sup>PF=0.1uF

7~10 位: 内部特征码

Digit 7~10: Internal use

11 位: 容量偏差

Digit 11: Capacitance tolerance

J=±5%、K=±10%、M=±20%

J=±5%、K=±10%、M=±20%

12~13 位: 额定电压

Digit 12~13: Rated voltage

24=600V、26=700V、28=800V

24=600V、26=700V、28=800V

20=900V、3A=1000V、3B=1100V

20=900V、3A=1000V、3B=1100V

3C=1200V、3E=1300V、3F=1400V

3C=1200V、3E=1300V、3F=1400V

3G=1500V、3K=2000V、3L=2200V

3G=1500V、3K=2000V、3L=2200V

3M=2400V、3O=2600V、3Q=2800V

3M=2400V、3O=2600V、3Q=2800V

3S=3000V、3T=3200V、3V=3600V

3S=3000V、3T=3200V、3V=3600V

3M=4000V

3M=4000V

14~17 位: 外形尺寸代码

Digit 14~17: Dimension code

14位 Digit 14		15位 Digit 15		16位 Digit 16		17位 Digit 17	
代码 Code	直径 Diameter	代码 Code	高度 Height	代码 Code	脚距 Pitch	代码 Code	引出端规格 Specifications of terminals
7	76	A	95	I	32.0 mm	B	螺母M6*15*10
8	86	B	120	L	45.0 mm	C	螺母M8*15*10
9	96	C	136	M	50.0 mm	E	螺杆M6*15*20
A	100	D	140			F	螺杆M8*15*20
B	116	E	155				
C	136	F	175				
		G	230				
		H	265				
		I	295				

18 位: 安装形式

Digit18: Fix style

F=平底 S=M12\*16 螺杆 T=M16\*25 螺杆

F=Flat S=M12\*16Male T=M16\*25Male

■ 标准品一览表 Standard size

静电容量 Cap(uF)	Outline size (mm)		ESR @1kHz (mΩ)	L <sub>s</sub> (nH)	R <sub>th</sub> (K/W)	İ (A)	I <sub>max</sub> (A)			Weight (kg)	Part number
	ΦD	H					40℃	50℃	60℃		
Un: 600V.DC											
480	76	95	1.5	45	5.6	1560	70	65	55	0.60	C43487****□247A-＊○
650	“	120	1.9	50	4.7	1560	“	63	53	0.70	C43657****□247A-＊○
780	“	140	2.2	55	4.6	1550	67	59	50	0.75	C43787****□247A-＊○
820	“	155	1.5	40	4.3	3060	70	70	62	0.90	C43827****□247A-＊○
950	“	175	1.5	45	4.2	3090	“	“	63	1.00	C43957****□247A-＊○
650	86	95	1.2	“	5.1	2120	“	“	64	0.72	C43657****□248A-＊○
880	“	120	1.5	50	4.7	2110	“	“	60	1.00	C43887****□248B-＊○
1000	“	136	1.8	55	4.6	2070	“	65	55	1.10	C43108****□248C-＊○
1100	“	140	1.7	“	4.6	2180	“	67	57	1.15	C43118****□248D-＊○
1100	“	155	1.4	40	4.4	4110	“	70	64	1.25	C43118****□248E-＊○
1300	“	175	1.4	45	4.3	4230	“	“	64	1.30	C43138****□248F-＊○
2000	“	265	1.1	55	3.0	6510	“	“	70	1.80	C43208****□248H-＊○
900	100	95	1.3	45	4.7	2900	“	“	58	1.20	C43907****□24AA-＊○
1200	“	120	1.4	50	4.1	2850	“	“	“	1.48	C43128****□24AB-＊○
1400	“	136	1.5	55	3.9	2870	“	“	“	1.66	C43148****□24AC-＊○
1500	“	140	1.6	“	3.8	2740	“	“	“	1.72	C43158****□24AD-＊○
1600	“	155	1.0	40	3.5	5920	“	“	70	1.99	C43168****□24AE-＊○
1800	“	175	1.0	45	3.2	5800	“	“	“	2.28	C43188****□24AF-＊○
1200	116	95	0.7	“	5.4	3900	80	80	80	1.20	C43128****□24BA-＊○
1600	“	120	1.0	50	5.0	3830	“	“	70	1.50	C43168****□24BB-＊○
2000	“	140	1.1	55	4.9	3960	“	“	67	1.75	C43208****□24BD-＊○
2100	“	155	0.8	40	3.6	7840	100	100	92	2.00	C43218****□24BE-＊○
2400	“	175	0.9	45	3.4	7810	“	“	90	2.20	C43248****□24BF-＊○
3000	“	230	0.8	50	2.7	11200	“	“	100	2.80	C43308****□24BG-＊○
5600	136	295	“	60	2.0	15940	“	“	“	4.90	C43568****□24BI-＊○
Un: 700V.DC											
360	76	95	1.6	45	5.6	1560	70	63	53	0.60	C43367****□267A-＊○
480	“	120	2.1	50	4.7	1530	68	60	50	0.70	C43487****□267B-＊○
580	“	140	2.4	55	4.6	1530	64	56	48	0.75	C43587****□267D-＊○
620	“	155	1.5	40	4.3	3090	70	70	62	0.90	C43627****□267E-＊○
720	“	175	1.6	45	4.2	3120	“	“	61	1.00	C43727****□267F-＊○
480	86	95	1.3	“	5.1	2080	“	“	“	0.72	C43487****□268A-＊○
650	“	120	1.7	50	4.7	2080	“	66	56	1.00	C43657****□268B-＊○
750	“	136	2.0	55	4.6	2070	“	62	52	1.10	C43757****□268C-＊○
780	“	140	1.9	“	4.6	2060	“	63	53	1.15	C43787****□268D-＊○
820	“	155	1.4	40	4.4	4080	“	70	64	1.25	C43827****□268E-＊○

◇ 备注：特殊需要可根据客户要求另行设计

◇ Note: Special requirements can be designed according to customer requirements

■ 标准品一览表 Standard size

静电容量 Cap(uF)	Outline size (mm)		ESR @1kHz (mΩ)	Ls (nH)	Rth (K/W)	İ (A)	Imax (A)			Weight (kg)	Part number
	ΦD	H					40℃	50℃	60℃		
Un: 700V.DC											
950	86	175	1.5	45	4.3	4120	70	70	62	1.30	C43957****□268F-＊○
1500	“	265	1.1	55	3.0	6500	“	“	70	1.80	C43158****□268H-＊○
650	100	95	1.4	45	4.7	2710	“	69	56	1.20	C43657****□26AA-＊○
900	“	120	1.5	50	4.1	2760	“	“	“	1.47	C43907****□26AB-＊○
1000	“	136	1.7	55	3.9	2650	“	67	55	1.67	C43108****□26AC-＊○
1100	“	140	1.7	“	3.8	2790	“	68	56	1.69	C43118****□26AD-＊○
1100	“	155	1.0	40	3.5	5260	“	70	70	2.01	C43118****□26AE-＊○
1300	“	175	1.1	45	3.2	5420	“	“	“	2.28	C43138****□26AF-＊○
920	116	95	0.7	45	5.4	3990	80	80	80	1.20	C43927****□26BA-＊○
1200	“	120	1.0	50	5.0	3830	“	“	70	1.50	C43128****□26BB-＊○
1500	“	140	1.1	55	4.9	3950	“	“	68	1.75	C43158****□26BD-＊○
1500	“	155	0.8	40	3.6	7460	100	100	93	2.00	C43158****□26BE-＊○
1800	“	175	1.0	45	3.4	7800	“	“	85	2.20	C43188****□26BF-＊○
2300	“	230	0.8	50	2.7	11440	“	“	100	2.80	C43238****□26BG-＊○
4200	136	295	0.8	60	2.0	15920	“	“	“	4.90	C43428****□26CI-＊○
Un: 800V.DC											
290	76	95	1.7	45	5.6	1530	69	61	51	0.60	C43297****□287A-＊○
400	“	120	2.2	50	4.7	1530	66	58	49	0.70	C43407****□287B-＊○
480	“	140	2.5	55	4.6	1560	63	55	47	0.75	C43487****□287D-＊○
480	“	155	1.6	40	4.3	1540	70	70	60	0.90	C43487****□287E-＊○
560	86	175	1.7	45	4.2	2910	“	“	59	1.00	C43567****□288F-＊○
380	“	95	1.4	“	5.1	2960	“	“	“	0.72	C43387****□288A-＊○
520	“	120	1.8	50	4.7	2010	“	64	54	1.00	C43527****□288B-＊○
580	“	136	2.0	55	4.6	2020	“	62	52	1.10	C43587****□288C-＊○
630	“	140	2.1	“	“	1950	68	60	51	1.15	C43637****□288D-＊○
650	“	155	1.5	40	4.4	2030	70	70	62	1.25	C43657****□288E-＊○
750	“	175	1.6	45	4.3	3940	“	“	60	1.30	C43757****□288F-＊○
1100	“	265	1.2	55	3.0	3960	“	“	70	1.80	C43118****□288H-＊○
500	100	95	1.4	45	4.7	2620	“	67	55	1.20	C43507****□28AA-＊○
700	“	120	1.6	50	4.1	2700	“	“	“	1.47	C43707****□28AB-＊○
800	“	136	1.8	55	3.9	2660	“	66	54	1.65	C43807****□28AC-＊○
850	“	140	“	“	3.8	2700	“	“	“	1.68	C43857****□28AD-＊○
900	“	155	1.1	40	3.5	5400	“	70	70	1.98	C43907****□28AE-＊○
1000	“	175	“	45	3.2	5230	“	“	“	2.28	C43108****□28AF-＊○
720	116	95	0.8	“	5.4	3800	80	80	76	1.20	C43727****□28BA-＊○
980	“	120	1.1	50	5.0	3810	“	79	67	1.50	C43987****□28BB-＊○
1200	“	140	1.2	55	4.9	3860	“	77	65	1.75	C43128****□28BD-＊○
1200	“	155	0.85	40	3.6	7280	100	100	90	2.00	C43128****□28BE-＊○
1500	“	175	1.0	45	3.4	7920	“	“	85	2.20	C43158****□28BF-＊○
1800	“	230	0.8	50	2.7	10910	“	“	100	2.80	C43188****□28BG-＊○
3200	136	295	“	60	2.0	14780	“	“	“	4.90	C43328****□28BI-＊○

◇ 备注：特殊需要可根据客户要求另行设计

◇ Note: Special requirements can be designed according to customer requirements

## ■ 标准品一览表 Standard size

静电容量 Cap(uF)	Outline size (mm)		ESR @1kHz (mΩ)	Ls (nH)	Rth (K/W)	İ (A)	Imax (A)			Weight (kg)	Part number
	ΦD	H					40℃	50℃	60℃		
Un: 900V.DC											
290	76	95	2.0	45	5.6	1530	63	56	47	0.60	C43297****□207A-*○
400	“	120	2.6	50	4.7	1560	61	54	45	0.70	C43407****□207B-*○
480	“	140	2.9	55	4.6	1540	58	51	43	0.75	C43487****□207D-*○
480	“	155	1.7	40	4.3	2910	70	69	58	0.90	C43487****□207E-*○
560	“	175	1.8	45	4.2	2960	“	68	58	1.00	C43567****□207F-*○
380	86	95	1.6	“	5.1	2010	“	65	55	0.72	C43387****□208A-*○
520	“	120	2.1	50	4.7	2020	68	60	50	1.00	C43387****□208B-*○
580	“	136	2.2	55	4.6	1950	67	59	50	1.10	C43387****□208C-*○
630	“	140	2.4	“	4.6	2030	64	56	48	1.15	C43387****□208D-*○
650	“	155	1.5	40	4.4	3940	70	70	62	1.25	C43387****□208E-*○
750	“	175	1.6	45	4.3	3960	“	“	60	1.30	C43387****□208F-*○
1100	“	265	1.3	55	3.0	5810	“	“	70	1.80	C43387****□208H-*○
500	100	95	1.4	45	4.7	2620	“	67	55	1.20	C43507****□20AA-*○
700	“	120	1.6	50	4.1	2700	“	67	55	1.47	C43707****□20AB-*○
800	“	136	1.8	55	3.9	2660	“	66	54	1.65	C43807****□20AC-*○
850	“	140	1.8	“	3.8	2700	“	“	“	1.68	C43857****□20AD-*○
900	“	155	1.1	40	3.5	5400	“	70	70	1.98	C43907****□20AE-*○
1000	“	175	1.1	45	3.2	5230	“	“	“	2.28	C43108****□20AF-*○
720	116	95	0.9	“	5.4	3800	80	80	71	1.20	C43727****□20BA-*○
980	“	120	1.2	50	5.0	3810	“	76	64	1.50	C43987****□20BB-*○
1200	“	140	1.4	55	4.9	3860	“	71	60	1.75	C43128****□20BD-*○
1200	“	155	0.9	40	3.6	7280	100	100	87	2.00	C43128****□20BE-*○
1500	“	175	1.1	45	3.4	7920	“	96	81	2.20	C43158****□20BF-*○
1800	“	230	0.8	50	2.7	10910	“	100	100	2.80	C43188****□20BG-*○
3200	136	295	0.8	60	2.0	14780	“	“	“	4.90	C43328****□20CI-*○
Un: 1000V.DC											
220	76	95	2.2	45	5.6	1460	60	53	45	0.60	C43227****□3A7A-*○
300	“	120	2.9	50	4.7	1460	57	51	43	0.70	C43307****□3A7B-*○
360	“	140	3.3	55	4.6	1450	54	48	41	0.75	C43367****□3A7D-*○
360	“	155	1.9	40	4.3	2740	70	65	55	0.90	C43367****□3A7E-*○
420	“	175	2.0	45	4.2	2780	“	“	“	1.00	C43427****□3A7F-*○
290	86	95	1.8	“	5.1	1920	“	62	52	0.72	C43297****□3A8A-*○
400	“	120	2.3	50	4.7	1950	65	57	48	1.00	C43407****□3A8B-*○
470	“	136	2.2	55	4.6	1980	67	59	50	1.10	C43477****□3A8C-*○
480	“	140	2.6	“	4.6	1930	61	54	46	1.15	C43487****□3A8D-*○
500	“	155	1.6	40	4.4	3800	70	70	60	1.25	C43507****□3A8E-*○
560	“	175	1.7	45	4.3	3710	“	69	58	1.30	C43567****□3A8F-*○
900	“	265	1.3	55	3.0	5960	“	70	70	1.80	C43907****□3A8H-*○
380	100	95	1.5	45	4.7	2490	“	65	53	1.18	C43387****□3AAA-*○
500	“	120	1.8	50	4.1	2410	“	64	52	1.47	C43507****□3AAB-*○
600	“	136	1.9	55	3.9	2500	“	63	“	1.63	C43607****□3AAC-*○

◇ 备注：特殊需要可根据客户要求另行设计

◇ Note: Special requirements can be designed according to customer requirements

## ■ 标准品一览表 Standard size

静电容量 Cap(uF)	Outline size (mm)		ESR @1kHz (mΩ)	Ls (nH)	R <sub>th</sub> (K/W)	İ (A)	Imax (A)			Weight (kg)	Part number
	ΦD	H					40℃	50℃	60℃		
Un: 1000V.DC											
650	100	140	1.9	55	3.8	2590	70	64	52	1.66	C43657****□3AAD-*○
650	“	155	1.1	40	3.5	4890	“	70	70	1.97	C43657****□3AAE-*○
780	“	175	“	45	3.2	5110	“	“	70	2.24	C43787****□3AAF-*○
540	116	95	1.0	“	5.4	3570	80	80	68	1.2	C43547****□3ABA-*○
740	“	120	1.4	50	5.0	3610	“	70	59	1.5	C43547****□3ABB-*○
900	“	140	4.5	55	4.9	3620	78	69	58	1.75	C43547****□3ABD-*○
900	“	155	0.95	40	3.6	6840	100	100	85	2.00	C43547****□3ABE-*○
1100	“	175	1.2	45	3.4	7280	“	92	78	2.20	C43547****□3ABF-*○
1400	“	230	0.9	50	2.7	10630	“	100	100	2.80	C43547****□3ABG-*○
2500	136	295	0.9	60	2.0	14470	“	“	“	4.90	C43547****□3ABI-*○
Un: 1100V.DC											
180	76	95	2.3	45	5.6	1400	59	52	44	0.60	C43187****□3B7A-*○
250	“	120	3.0	50	4.7	1430	56	50	42	0.70	C43257****□3B7B-*○
300	“	140	3.5	55	4.6	1420	53	47	39	0.75	C43307****□3B7D-*○
310	“	155	1.9	40	4.3	2770	70	65	55	0.90	C43317****□3B7E-*○
360	“	175	2.0	45	4.	2800	“	“	“	1.00	C43367****□3B7F-*○
240	86	95	1.9	“	5.1	1870	68	60	51	0.72	C43247****□3B8A-*○
330	“	120	2.4	50	4.7	1890	63	56	47	1.00	C43337****□3B8B-*○
420	“	136	2.3	55	4.6	2080	65	58	49	1.10	C43427****□3B8C-*○
420	“	155	1.7	40	4.4	3750	70	63	52	1.25	C43427****□3B8E-*○
500	“	175	1.8	45	4.3	3730	“	67	57	1.30	C43507****□3B8F-*○
750	“	265	1.3	55	3.0	5840	“	70	70	1.80	C43757****□3B8H-*○
350	100	95	1.5	45	4.7	2640	“	65	53	1.19	C43357****□3BAA-*○
450	“	120	1.8	50	4.1	2500	“	63	51	1.49	C43457****□3BAB-*○
520	“	136	2.0	55	3.9	2500	“	62	50	1.67	C43527****□3BAC-*○
550	“	140	2.1	“	3.8	2650	“	62	51	1.71	C43557****□3BAD-*○
580	“	155	1.1	40	3.5	5020	“	70	70	2.00	C43587****□3BAE-*○
650	“	175	1.2	45	3.2	4900	“	“	“	2.30	C43657****□3BAF-*○
450	116	95	1.0	“	5.4	3500	80	80	68	1.20	C43457****□3BBA-*○
620	“	120	1.4	50	5.0	3550	“	70	59	1.50	C43627****□3BBB-*○
750	“	140	1.6	55	4.9	3550	75	66	56	1.75	C43757****□3BBD-*○
780	“	158	0.9	40	3.6	6960	100	100	85	2.00	C43787****□3BBE-*○
920	“	175	1.1	45	3.4	7150	“	96	81	2.20	C43927****□3BBF-*○
1200	“	230	0.9	50	2.7	10710	“	100	100	2.80	C43128****□3BBG-*○
2200	136	295	0.9	60	2.0	14960	“	“	“	4.90	C43228****□3BCI-*○

◇ 备注：特殊需要可根据客户要求另行设计

◇ Note: Special requirements can be designed according to customer requirements



■ 标准品一览表 Standard size

静电容量 Cap(μF)	Outline size (mm)		ESR @1kHz (mΩ)	Ls (nH)	R <sub>th</sub> (K/W)	İ (A)	Imax (A)			Weight (kg)	Part number
	ΦD	H					40℃	50℃	60℃		
Un: 1200V.DC											
140	76	95	2.7	45	5.6	1330	55	48	41	0.60	C43147****□3C7A-※○
200	“	120	3.4	50	4.7	1400	53	47	40	0.70	C43207****□3C7B-※○
240	“	140	3.9	55	4.6	1380	50	44	37	0.75	C43247****□3C7D-※○
240	“	155	2.0	40	4.3	2630	70	64	54	0.90	C43247****□3C7E-※○
280	“	175	2.1	45	4.2	2670	“	63	53	1.00	C43287****□3C7F-※○
190	86	95	2.1	45	5.1	1810	65	57	48	0.72	C43197****□3C8A-※○
260	“	120	2.7	50	4.7	1810	60	53	44	1.00	C43267****□3C8B-※○
320	“	136	2.5	55	4.6	1930	63	55	47	1.10	C43327****□3C8C-※○
330	“	140	3.0	55	4.6	1900	57	50	43	1.15	C43337****□3C8D-※○
330	“	155	1.8	40	4.4	3610	70	66	56	1.25	C43337****□3C8E-※○
380	“	175	1.9	45	4.3	3610	“	65	55	1.30	C43387****□3C8F-※○
580	“	265	1.5	55	3.0	5520	“	70	70	1.80	C43587****□3C8H-※○
250	100	95	1.7	45	4.7	2320	“	61	50	1.19	C43257****□3CAA-※○
350	“	120	2.0	50	4.1	2390	“	“	“	1.45	C43357****□3CAB-※○
400	“	136	2.2	55	3.9	2360	69	59	49	1.63	C43407****□3CAC-※○
420	“	140	2.2	55	3.8	2370	“	“	“	1.67	C43427****□3CAD-※○
450	“	155	1.2	40	3.5	4790	70	70	70	1.96	C43457****□3CAE-※○
500	“	175	1.2	45	3.2	4640	“	“	“	2.26	C43507****□3CAF-※○
360	116	95	1.1	45	5.4	3420	80	76	64	1.20	C43367****□3CBA-※○
500	“	120	1.6	50	5.0	3490	75	66	55	1.50	C43507****□3CBB-※○
600	“	140	1.8	55	4.9	3450	71	63	53	1.75	C43607****□3CBD-※○
620	“	155	1.0	40	3.6	6780	100	98	83	2.00	C43627****□3CBE-※○
720	“	175	1.2	45	3.4	6740	“	92	78	2.20	C43727****□3CBF-※○
950	“	230	0.9	50	2.7	10210	“	100	100	2.80	C43957****□3CBG-※○
1700	136	295	0.9	60	2.0	13920	“	“	“	4.90	C43178****□3CBI-※○
Un: 1300V.DC											
120	76	95	2.9	45	5.6	1310	53	46	39	0.60	C43127****□3E7A-※○
170	“	120	3.7	50	4.7	1360	51	45	38	0.70	C43177****□3E7B-※○
210	“	140	4.1	55	4.6	1390	49	43	36	0.75	C43217****□3E7D-※○
210	“	155	2.1	40	4.3	2640	70	62	53	0.90	C43217****□3E7E-※○
240	“	175	2.3	45	4.2	2620	68	60	51	1.00	C43247****□3E7F-※○
170	86	95	2.2	45	5.1	1850	63	56	47	0.72	C43177****□3E8A-※○
230	“	120	2.8	50	4.7	1840	58	52	44	1.00	C43237****□3E8B-※○
270	“	136	2.8	55	4.6	1860	59	“	44	1.10	C43277****□3E8C-※○
270	“	140	3.3	55	4.6	1780	54	48	41	1.15	C43277****□3E8D-※○

◇ 备注：特殊需要可根据客户要求另行设计

◇ Note: Special requirements can be designed according to customer requirements



■ 标准品一览表 Standard size

静电容量 Cap(uF)	Outline size (mm)		ESR @1kHz (mΩ)	Ls (nH)	Rth (K/W)	İ (A)	Imax (A)			Weight (kg)	Part number
	ΦD	H					40℃	50℃	60℃		
Un: 1300V.DC											
280	86	155	1.8	40	4.4	3510	70	66	56	1.25	C43287****□3E8E-○
320	“	175	1.9	45	4.3	3490	“	65	55	1.30	C43327****□3E8F-○
520	“	265	1.5	55	3.0	5670	“	70	67	1.80	C43527****□3E8H-○
210	100	95	1.8	45	4.7	2270	69	60	49	1.19	C43217****□3EAA-○
280	“	120	2.1	50	4.1	2230	67	58	48	1.47	C43287****□3EAB-○
330	“	136	2.3	55	3.9	2270	66	57	47	1.64	C43337****□3EAC-○
360	“	140	2.3	55	3.8	2370	67	58	47	1.67	C43367****□3EAD-○
380	“	155	1.2	40	3.5	4720	70	70	69	1.96	C43387****□3EAE-○
420	“	175	1.3	45	3.2	4540	“	“	70	2.26	C43427****□3EAF-○
320	116	95	1.2	45	5.4	3490	80	73	62	1.20	C43327****□3EBA-○
430	“	120	1.6	50	5.0	3440	75	66	55	1.50	C43437****□3EBB-○
520	“	140	1.8	55	4.9	3430	71	63	53	1.75	C43527****□3EBD-○
540	“	155	1.0	40	3.6	6770	100	98	83	2.00	C43547****□3EBE-○
630	“	175	1.2	45	3.4	6760	“	92	78	2.20	C43637****□3EBF-○
820	“	230	0.9	50	2.7	10100	“	100	100	2.80	C43827****□3EBG-○
1500	136	295	1.0	60	2.0	14080	“	“	“	4.90	C43158****□3EBI-○
Un: 1400V.DC											
100	76	95	3.1	45	5.6	1260	51	45	38	0.60	C43107****□3F7A-○
140	“	120	4.0	50	4.7	1290	49	43	36	0.70	C43147****□3F7B-○
170	“	140	4.6	55	4.6	1290	46	41	34	0.75	C43177****□3F7D-○
170	“	155	2.3	40	4.3	2460	67	59	50	0.90	C43177****□3F7E-○
200	“	175	2.4	45	4.2	2650	67	59	50	1.00	C43207****□3F7F-○
140	86	95	2.4	45	5.1	1760	61	53	45	0.72	C43147****□3F8A-○
190	“	120	3.1	50	4.7	1750	56	49	41	1.00	C43197****□3F8B-○
230	“	136	2.9	55	4.6	1800	58	51	43	1.10	C43237****□3F8C-○
240	“	155	1.9	40	4.4	3470	70	65	55	1.25	C43247****□3F8E-○
270	“	175	2.1	45	4.3	3400	“	62	53	1.30	C43277****□3F8F-○
420	“	265	1.5	55	3.0	5210	“	70	70	1.80	C43427****□3F8H-○
180	100	95	1.8	45	4.7	2240	68	59	48	1.19	C43187****□3FAA-○
250	“	120	2.2	50	4.1	2300	67	58	47	1.45	C43257****□3FAB-○
290	“	136	2.4	55	3.9	2300	65	57	46	1.63	C43297****□3FAC-○
320	“	155	1.2	40	3.5	4580	70	70	68	1.96	C43327****□3FAE-○
360	“	175	1.3	45	3.2	4490	“	“	69	2.26	C43367****□3FAF-○
260	116	95	1.3	45	5.4	3220	80	70	59	1.20	C43267****□3FBA-○
360	“	120	1.8	50	5.0	3280	70	62	52	1.50	C43367****□3FBB-○
450	“	140	2.0	55	4.9	3390	67	59	50	1.75	C43457****□3FBD-○
460	“	155	1.1	40	3.6	6540	100	94	79	2.00	C43467****□3FBE-○
540	“	175	1.3	45	3.4	6690	89	79	66	2.20	C43547****□3FBF-○
700	“	230	0.9	50	2.7	9950	100	94	79	2.80	C43707****□3FBG-○
1300	136	295	1.05	60	2.0	14080	“	100	97	4.90	C43138****□3FCI-○

◇ 备注：特殊需要可根据客户要求另行设计

◇ Note: Special requirements can be designed according to customer requirements

■ 标准品一览表 Standard size

静电容量 Cap(uF)	Outline size (mm)		ESR @1kHz (mΩ)	Ls (nH)	Rth (K/W)	İ (A)	Imax (A)			Weight (kg)	Part number
	ΦD	H					40℃	50℃	60℃		
Un: 1500V.DC											
90	76	95	3.3	45	5.6	1220	49	44	37	0.60	C43906****□3G7A-*○
120	“	120	4.4	50	4.7	1200	47	41	35	0.70	C43127****□3G7B-*○
150	“	140	4.9	55	4.6	1230	45	39	33	0.75	C43157****□3G7D-*○
150	“	155	2.4	40	4.3	2340	66	58	49	0.90	C43157****□3G7E-*○
170	“	175	2.5	45	4.2	2310	65	58	“	1.00	C43177****□3G7F-*○
120	86	95	2.6	“	5.1	1630	58	51	43	0.72	C43127****□3G8A-*○
170	“	120	3.3	50	4.7	1690	54	48	40	1.00	C43177****□3G8B-*○
200	“	136	3.0	55	4.6	1720	57	50	43	1.10	C43207****□3G8C-*○
210	“	155	2.0	40	4.4	3280	70	63	53	1.25	C43217****□3G8E-*○
240	“	175	2.1	45	4.3	3260	“	62	53	1.30	C43247****□3G8F-*○
380	“	265	1.5	55	3.0	5080	“	70	70	1.80	C43387****□3G8H-*○
160	100	95	1.9	45	4.7	2150	67	58	47	1.18	C43167****□3GAA-*○
210	“	120	2.3	50	4.1	2080	65	56	46	1.46	C43217****□3GAB-*○
250	“	136	2.5	55	3.9	2140	64	55	45	1.63	C43257****□3GAC-*○
280	“	155	1.3	40	3.5	4320	70	70	67	1.96	C43287****□3GAE-*○
320	“	175	1.3	45	3.2	4300	“	“	68	2.24	C43327****□3GAF-*○
230	116	95	1.4	“	5.4	3120	77	68	57	1.20	C43237****□3GBA-*○
320	“	120	1.9	50	5.0	3180	68	60	51	1.50	C43327****□3GBB-*○
390	“	140	2.1	55	4.9	3200	66	58	49	1.75	C43397****□3GBD-*○
420	“	155	1.1	40	3.6	6550	100	94	79	2.00	C43427****□3GBE-*○
470	“	175	1.3	45	3.4	6280	89	79	66	2.20	C43477****□3GBF-*○
600	“	230	1.0	50	2.7	9200	100	89	75	2.80	C43607****□3GBG-*○
1100	136	295	1.1	60	2.0	12850	“	100	95	4.90	C43118****□3GCI-*○
Un: 2000V.DC											
110	86	140	3.5	65	4.5	1830	48	42	35	1.05	C43117****□3K8D-*○
180	“	230	1.8	60	3.2	3660	78	69	58	1.65	C43187****□3K8G-*○
180	116	120	2.1	“	3.5	3660	70	61	52	1.60	C43187****□3K8B-*○
220	“	140	2.3	65	3.3	3660	68	60	51	1.85	C43227****□3K8D-*○
260	“	175	1.1	55	2.9	7360	100	93	79	2.30	C43267****□3K8F-*○
360	“	230	1.3	60	2.4	7360	“	“	“	2.85	C43367****□3K8G-*○
250	136	120	1.8	“	2.9	5090	78	67	55	2.15	C43257****□3K8C-*○
310	“	140	2.0	65	2.7	5150	77	66	54	2.45	C43317****□3K8D-*○
360	“	175	1.0	55	2.4	10200	100	99	81	3.15	C43367****□3K8F-*○
500	“	230	1.2	60	2.1	10100	“	98	80	3.90	C43507****□3K8G-*○
610	“	265	1.3	“	1.9	10100	“	“	“	4.50	C43617****□3K8H-*○

◇ 备注：特殊需要可根据客户要求另行设计

◇ Note: Special requirements can be designed according to customer requirements

■ 标准品一览表 Standard size

静电容量 Cap(uF)	Outline size (mm)		ESR @1kHz (mΩ)	Ls (nH)	Rth (K/W)	İ (A)	Imax (A)			Weight (kg)	Part number
	ΦD	H					40°C	50°C	60°C		
Un: 2200V.DC											
90	86	140	3.7	65	4.5	1790	46	41	34	1.05	C43906****□3L8D-○
150	“	230	1.9	60	3.2	3670	77	68	57	.65	C43157****□3L8G-○
140	116	120	2.2	“	3.6	3420	67	59	50	1.60	C43147****□3LBB-○
170	“	140	2.5	65	3.3	3390	66	58	49	1.85	C43177****□3LBD-○
210	“	175	1.1	55	2.9	7150	100	91	77	2.30	C43217****□3LBF-○
290	“	230	1.4	60	2.4	7100	“	91	“	2.90	C43297****□3LBG-○
200	136	120	1.9	“	2.9	4890	76	66	54	2.15	C43207****□3LCB-○
250	“	140	2.1	65	2.7	4990	75	65	53	2.45	C43257****□3LCD-○
290	“	175	1.0	55	2.4	9870	100	97	79	3.15	C43297****□3LCF-○
400	“	230	1.2	60	2.1	9790	“	96	“	3.90	C43407****□3LCG-○
500	“	265	1.4	“	1.9	9990	“	97	“	4.50	C43507****□3LCH-○
Un: 2400V.DC											
75	86	140	3.9	65	4.5	1770	45	40	33	1.05	C43756****□3M8D-○
120	“	230	2.0	60	3.2	3470	75	65	55	1.65	C43127****□3M8G-○
120	116	120	2.3	“	3.6	3470	66	58	49	1.60	C43127****□3MBD-○
140	“	140	2.6	65	3.3	3310	64	56	47	1.85	C43147****□3MBF-○
170	“	175	1.2	55	2.9	6840	100	89	75	2.30	C43177****□3MBG-○
240	“	230	1.4	60	2.5	6940	“	“	“	2.85	C43247****□3MBG-○
160	136	120	2.0	“	3.0	4630	73	63	52	2.20	C43167****□3MCB-○
200	“	140	2.2	65	2.8	4720	72	“	51	2.50	C43207****□3MCD-○
240	“	175	1.1	55	2.5	9660	100	95	78	3.15	C43247****□3MCF-○
330	“	230	1.3	60	2.1	9550	“	94	77	3.90	C43337****□3MCG-○
410	“	265	1.4	“	1.9	9690	“	95	“	4.50	C43417****□3MCH-○
Un: 2600V.DC											
63	86	140	4.1	65	4.5	1730	43	38	32	1.05	C43636****□3O8D-○
100	“	230	2.1	60	3.2	3370	72	63	53	1.65	C43107****□3O8G-○
100	116	120	2.4	“	3.6	3370	64	57	48	1.60	C43107****□3OBB-○
120	“	140	2.7	65	3.3	3310	63	55	47	1.85	C43127****□3OBD-○
140	“	175	1.2	55	2.9	6570	98	87	73	2.30	C43147****□3OBF-○
200	“	230	1.5	60	2.5	6750	99	“	“	2.85	C43207****□3OBG-○
140	136	120	2.0	“	3.0	4730	73	63	51	2.15	C43147****□3OCB-○
170	“	140	2.3	65	2.8	4690	71	62	50	2.45	C43177****□3OCD-○
200	“	175	1.1	55	2.5	9390	100	94	76	3.15	C43207****□3OCF-○
280	“	230	1.3	60	2.1	9590	“	93	“	3.9	C43287****□3OCG-○
340	“	265	1.5	60	1.9	9380	“	92	“	4.50	C43347****□3OCH-○

◇ 备注：特殊需要可根据客户要求另行设计

◇ Note: Special requirements can be designed according to customer requirements

■ 标准品一览表 Standard size

静电容量 Cap(uF)	Outline size (mm)		ESR @1kHz (mΩ)	Ls (nH)	Rth (K/W)	İ (A)	Imax (A)			Weight (kg)	Part number
	ΦD	H					40°C	50°C	60°C		
Un: 2800V.DC											
54	86	140	4.3	65	4.5	1710	42	37	32	1.05	C43546****□3Q8D-○
88	“	230	2.2	60	3.2	3430	71	62	53	1.65	C43886****□3Q8G-○
86	116	120	2.5	“	3.6	3350	63	56	47	1.60	C43866****□3QBB-○
100	“	140	2.9	65	3.4	3180	61	53	45	1.85	C43107****□3QBD-○
120	“	175	1.3	55	2.9	6500	97	85	72	2.30	C43127****□3QBF-○
170	“	230	1.5	60	2.5	6620	96	85	“	2.85	C43177****□3QBG-○
120	136	120	2.1	“	3.0	4680	71	62	51	2.15	C43127****□3QCB-○
140	“	140	2.4	65	2.8	4450	69	59	49	2.50	C43127****□3QCD-○
170	“	175	1.1	55	2.5	9210	100	92	75	3.15	C43127****□3QCF-○
240	“	230	1.3	60	2.1	9350	“	“	“	3.90	C43127****□3QCG-○
290	“	265	1.5	“	1.9	9230	“	91	74	4.50	C43127****□3QCH-○
Un: 3000V.DC											
46	86	140	4.6	65	4.6	1570	41	36	30	1.05	C43466****□3S8D-○
75	116	230	2.3	60	3.2	3150	69	61	51	1.65	C43756****□3SBG-○
74	“	120	2.6	“	3.6	3110	62	54	46	1.60	C43746****□3SBB-○
90	“	140	2.9	65	3.3	3090	60	53	45	1.80	C43906****□3SBD-○
100	“	175	1.3	55	3.0	5840	94	83	70	2.35	C43107****□3SBF-○
140	“	230	1.6	60	2.5	5880	93	82	69	2.90	C43147****□3SBG-○
100	136	120	2.2	“	3.0	4200	69	60	49	2.15	C43107****□3SCB-○
120	“	140	2.5	65	2.8	4120	67	58	47	2.50	C43127****□3SCD-○
140	“	175	1.2	55	2.5	8180	100	89	73	3.15	C43147****□3SCF-○
200	“	230	1.4	60	2.2	8400	“	“	“	3.90	C43227****□3SCG-○
250	“	265	1.6	“	1.9	8580	“	“	“	4.50	C43257****□3SCH-○
Un: 3200V.DC											
40	86	140	4.9	65	4.6	1470	40	35	30	1.05	C43406****□3T8D-○
65	“	230	2.4	60	3.2	2930	67	59	50	1.65	C43656****□3T8G-○
64	116	120	2.7	“	3.6	2880	60	53	45	1.60	C43646****□3TBB-○
78	“	140	3.1	65	3.4	2870	59	52	44	1.80	C43786****□3TBD-○
92	“	175	1.3	55	3.0	5760	94	83	70	2.30	C43926****□3TBF-○
120	“	230	1.7	60	2.5	5410	91	80	68	2.90	C43127****□3TBG-○
90	136	120	2.2	“	3.0	4050	69	59	49	2.15	C43906****□3TCB-○
110	“	140	2.5	65	2.8	4050	67	58	47	2.45	C43117****□3TC-○
120	“	175	1.2	55	2.6	7520	100	87	71	3.20	C43127****□3TCF-○
180	“	230	1.4	60	2.2	8110	“	89	72	3.85	C43187****□3TCG-○
220	“	265	1.6	“	1.9	8100	“	88	“	4.45	C43227****□3TCH-○

◇ 备注：特殊需要可根据客户要求另行设计

◇ Note: Special requirements can be designed according to customer requirements

■ 标准品一览表 Standard size

静电容量 Cap(uF)	Outline size (mm)		ESR @1kHz (mΩ)	Ls (nH)	Rth (K/W)	İ (A)	Imax (A)			Weight (kg)	Part number
	ΦD	H					40°C	50°C	60°C		
Un: 3600V.DC											
28	86	140	4.0	65	4.6	1650	43	38	32	1.10	C43286****□3V8D-*○
45	“	230	2.0	60	3.3	3290	72	64	54	1.70	C43456****□3V8G-*○
44	116	120	2.3	“	3.7	3220	64	57	48	1.65	C43446****□3VBB-*○
54	“	140	2.7	65	3.4	3190	63	55	47	1.90	C43546****□3VBD-*○
88	“	230	1.4	60	2.5	6440	98	87	73	3.00	C43886****□3VBG-*○
110	“	265	1.6	“	2.3	6510	97	85	72	3.45	C43117****□3VBH-*○
61	136	120	2.0	“	3.0	4460	72	63	51	2.25	C43616****□3VCB-*○
75	“	140	2.3	65	2.8	4440	71	61	50	2.55	C43756****□3VCD-*○
120	“	230	1.3	60	2.2	8780	100	92	75	4.05	C43127****□3VCG-*○
150	“	265	1.5	“	2.0	8880	100	92	75	4.70	C43157****□3VCH-*○
Un: 4000V.DC											
24	86	140	4.2	65	4.6	1650	42	37	32	1.10	C43246****□3W8D-*○
38	“	230	2.1	60	3.3	3230	70	62	53	1.70	C43386****□3W8G-*○
37	116	120	2.4	“	3.7	3140	63	55	47	1.65	C43376****□3WBBD-*○
46	“	140	2.8	65	3.4	3160	61	54	46	1.90	C43466****□3WBD-*○
74	“	230	1.5	60	2.5	3290	96	85	72	3.00	C43746****□3WBG-*○
92	“	265	1.7	“	2.33	6330	94	83	70	3.45	C43926****□3WBH-*○
52	136	120	2.1	“	3.0	4420	71	62	50	2.25	C43526****□3WCB-*○
64	“	140	2.3	65	2.8	4400	69	60	49	2.55	C43646****□3WCD-*○
100	“	230	1.3	60	2.2	8500	100	90	73	4.05	C43107****□3WCG-*○
130	“	265	1.5	“	2.0	8940	“	91	37	4.65	C43137****□3WCH-*○

- ◇ 备注：特殊需要可根据客户要求另行设计
- ◇ Note: Special requirements can be designed according to customer requirements
- ◇ 1.“\*\*\*\*”表示内部特征码；“\*\*\*\*”=Internal use
- ◇ 2.“□”表示容量偏差；“□”= Capacitance tolerance
- ◇ 3.“—”表示脚距；”—”= Pitch
- ◇ 4.“\*”表示引出端型体；“\*”= Specifications of terminals
- ◇ 5.“○”表示安装形式；“○”= Fix style