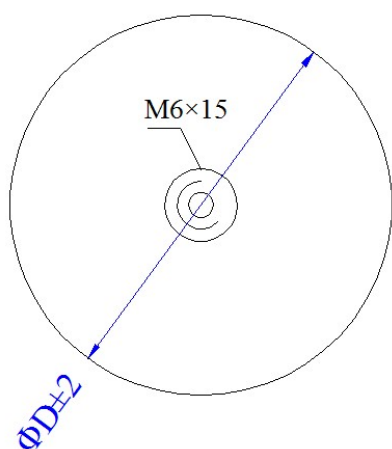
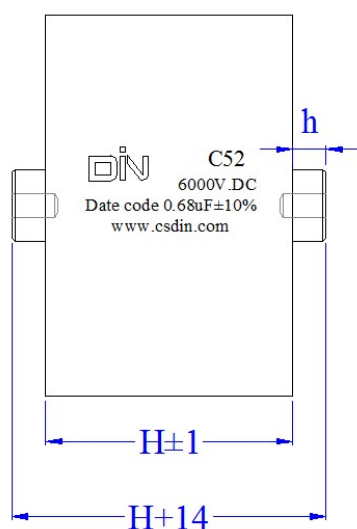


C52 系列 SERIES

■ 外形图 Outline Drawing



■ 特点

- 迈拉胶带封装，环氧树脂灌封
- 高纹波吸收能力，高 dv/dt 承受能力
- 等效串联电阻小，自感小
- 损耗小，内部温升小

■ 主要用途

- GTO中突波的吸收
- 高纹波电流直流滤波应用
- 高压脉冲，高频应用

■ Features

- Mylar tape package, Sealed with epoxy resin
- High-frequency ripple absorption ability
- Low ESR, Low ESL
- Low loss and small inherent temperature rise

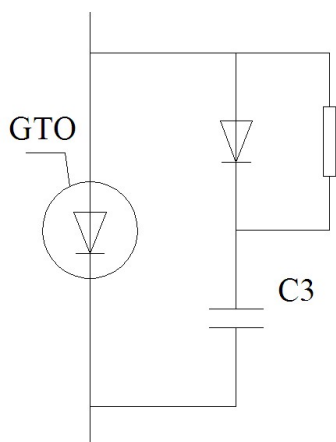
■ Typical application

- Damping of voltage spikes in GTO-Thrusters
- High ripple current D.C. filtering
- For high pulse and high frequency application

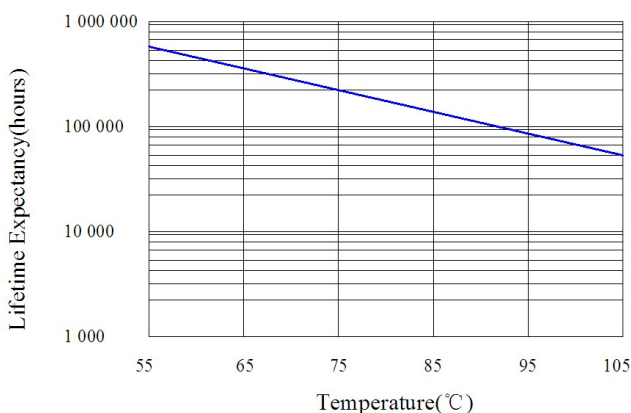
■ 技术参数 Technical Specifications

项目 Items	性能要求 Characteristics	
引用标准/Reference standards	GB/T 17702 IEC 61071	
容量范围/Capacitance	0.01 μ F ~10.0 μ F	
额定电压/Rated Voltage	700V.DC~9000V.DC	
容量偏差/Tolerance	\pm 5% \pm 10%	
损耗角正切/Dissipation factor	$\text{tg}\delta \leq 10 \times 10^{-4}$ at 25 $^{\circ}$ C \pm 5 $^{\circ}$ C,1KHz	
绝缘电阻/Insulation resistance	C·R \geq 5000S,at500V.DC,25 $^{\circ}$ C \pm 5 $^{\circ}$ C,60s	
工作温度范围/Operating temperature range	-40 $^{\circ}$ C ~85 $^{\circ}$ C	
极间耐电压/Test voltage between terminals	1.5Un (10S,25 $^{\circ}$ C \pm 5 $^{\circ}$ C)	
极壳耐电压/Test voltage between terminals and case	3000V.AC(10S,50/60Hz,25 $^{\circ}$ C \pm 5 $^{\circ}$ C)	
最大安装扭矩/ Max. Torque of Installation	3.0Nm	
最大电极扭矩/Max. Torque of terminals	M6:5Nm	M8:6.0Nm
最高使用海拔/Max Altitude	2000m	
预期寿命/Expected lifetime	100 000hrs @ Un,0hs=70 $^{\circ}$ C	
失效率/Failure rate	100FIT	

■ 典型线路/Typical circuit



■ 预期寿命曲线/ Expected lifetime curve



■ 产品编码说明/Part number code system

▲ 18 位产品代码如下:

▲ The 18 digits part number is formed as follow:

C	5	2															
1	2	3	4	5	6	7	8	9	10	11	12	13	14	15	16	17	18

1~3 位: 型号代码

Digit 1~3: Series code

4~6 位: 标称容量

Digit 4~6: Rated capacitance value

如: 104=10×10⁴PF=0.1uF

Example: 104=10×10⁴PF=0.1uF

7~10 位: 内部特征码

Digit 7~10: Internal use

11 位: 容量偏差

Digit 11: Capacitance tolerance

J=±5%、K=±10%、M=±20%

J=±5%、K=±10%、M=±20%

12~13 位: 额定电压

Digit 12~13: Rated voltage

3S=3000V、34=6000V、36=7000V

3S=3000V、34=6000V、36=7000V

38=8000V

38=8000V

14~15 位: 外形尺寸代码

Digit 14~15: Dimension code

14位 Digit 14		15位 Digit 15	
代码 Code	胶带宽 Tape width	代码 Code	引出端规格 Specifications of terminals
F	46mm	B	螺母M6*15*10
H	56mm	C	螺母M8*15*10
I	60mm		
K	80mm		
L	90mm		

16~17位: h高度

16~17位: Height for h

70=7.0mm 75=7.5mm ...

70=7.0mm 75=7.5mm ...

18 位: 安装形式

Digit18: Fix style

代码 Code	N	B	C
支架 Bracket	无支架	Φ 15*49	Φ 15*58

■ 标准品一览表 Standard size

静电容量 Cap(uF)	Outline size (mm)		Ls (nH)	dv/dt (V/us)	î (A)	I _{rms} @70°C/100KHZ (A)	Part number
	ΦD (mm)	H (mm)					
Un: 3000V.DC							
0.33	35	46	25	1100	242	30	C52334****□3SF*70○
0.33	43	“	“	1000	330	35	C52334****□3SF*70○
0.47	51	“	22	850	399	45	C52474****□3SF*70○
0.68	61	“	“	800	544	55	C52684****□3SF*70○
1	74	“	20	700	700	65	C52105****□3SF*70○
1.2	80	“	“	650	780	75	C52125****□3SF*70○
Un: 6000V.DC							
0.22	43	60	25	1500	330	35	C52224****□34I*70○
0.33	52	“	“	1200	396	45	C52334****□34I*70○
0.47	62	“	“	1000	470	50	C52474****□34I*70○
0.68	74	“	22	900	612	60	C52684****□34I*70○
1	90	“	“	800	900	75	C52105****□34I*70○
Un: 7000V.DC							
0.22	45	56	25	1100	242	30	C52224****□36H*70○
0.68	36	80	28	1000	680	25	C52684****□36K*70○
1	43	“	“	850	850	30	C52105****□36K*70○
1.5	52	“	25	800	1200	35	C52155****□36K*70○
1.8	57	“	“	700	1260	40	C52185****□36K*70○
2	60	“	23	650	1300	45	C52205****□36K*70○
3	73	“	22	500	1500	50	C52305****□36K*70○
Un: 8000V.DC							
0.33	35	90	30	1100	363	25	C52334****□38L*70○
0.47	41	“	28	1000	470	30	C52474****□38L*70○
0.68	49	“	“	850	578	35	C52684****□38L*70○
1	60	“	25	800	800	40	C52105****□38L*70○
1.5	72	“	“	700	1050	45	C52155****□38L*70○

◇ 备注：特殊需要可根据客户要求另行设计

◇ Note: Special requirements can be designed according to customer requirements

◇ 1.“****”表示内部特征码；“****”=Internal use

◇ 2.“□”表示容量偏差；“□”= Capacitance tolerance

◇ 3.“*”表示引出端型体；“*”= Specifications of terminals

◇ 4.“○”表示安装形式；“○”= Fix style