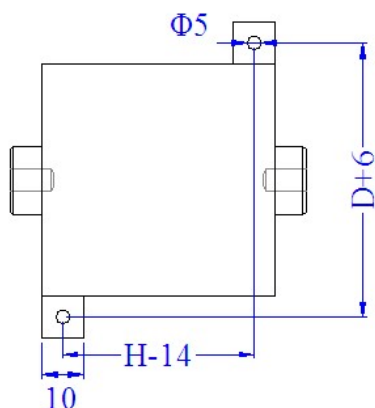
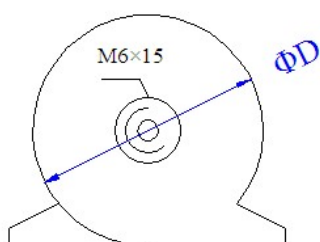
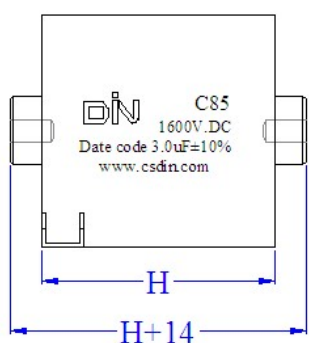


C85 系列 SERIES

■ 外形图 Outline Drawing



■ 特点

- 自感小、等效串联电阻小
- 高脉冲电流、高 dv/dt 承受能力
- 高频大电流承受能力

■ 主要用途

- 广泛应用于商用电磁炉、和感应加热设备的半桥、全桥谐振电路

■ Features

- Low ESL, Low ESR
- High pulse Current, high dv/dt characteristics,
- High frequency and high current endurance

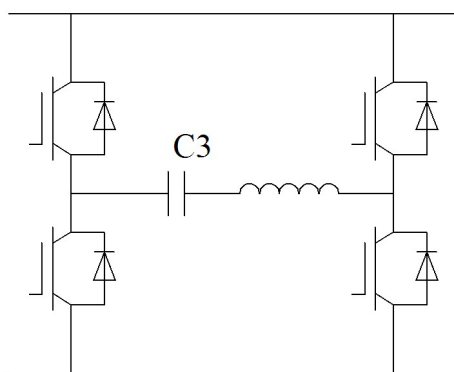
■ Typical application

- Widely used in half-bridge, full bridge's resonant circuit of commercial induction cooker and induction heater

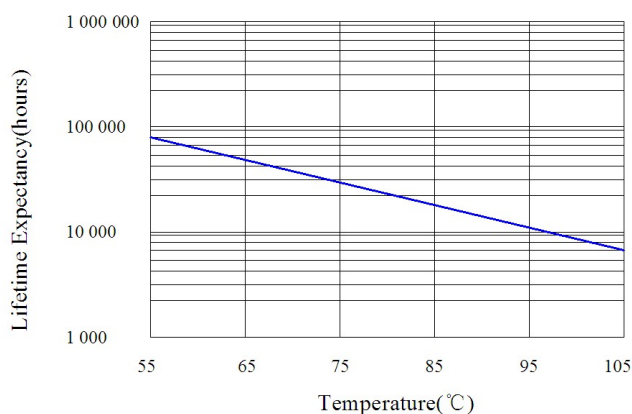
■ 技术参数 Technical Specifications

项目 Items	性能要求 Characteristics
引用标准/Reference standards	GB/T 17702 IEC 61071
工作温度范围/Operating temperature range	-40°C ~ 105°C (+85°C to +105°C: decreasing factor 1.25% per °C for $V_R(DC)$)
容量范围/Capacitance	0.1μF ~ 8.0μF
额定电压/Rated Voltage	700V.DC ~ 3000 V.DC
容量偏差/Tolerance	±5% ±10%
损耗角正切/Dissipation factor	$tg\delta \leq 20 \times 10^{-4}$ at 25°C ± 5°C, 10KHz
绝缘电阻/Insulation resistance	$C \cdot R \geq 5000S$, at 100V.DC, 25°C ± 5°C, 60s
极间耐电压/Test voltage between terminals	1.5Un (10S, 25°C ± 5°C)
极壳耐电压/Test voltage between terminals and case	3000V.AC(10S, 50/60Hz, 25°C ± 5°C)
最高使用海拔/Max Altitude	2000m
预期寿命/Expected lifetime	100 000hrs @ Un, $\theta_{hs} = 70^\circ C$
失效率/Failure rate	100FIT

■ 典型线路/Typical circuit



■ 预期寿命曲线/ Expected lifetime curve



■ 产品编码说明/Part number code system

▲ 18位产品代码如下:

▲ The 18 digits part number is formed as follow:

C	8	5															
1	2	3	4	5	6	7	8	9	10	11	12	13	14	15	16	17	18

1~3位: 型号代码

Digit 1~3: Series code

4~6位: 标称容量

Digit 4~6: Rated capacitance value

如: 104=10×10⁴PF=0.1uF

Example: 104=10×10⁴PF=0.1uF

7~10位: 内部特征码

Digit 7~10: Internal use

11位: 容量偏差

Digit 11: Capacitance tolerance

J=±5%、K=±10%、M=±20%

J=±5%、K=±10%、M=±20%

12~13位: 额定电压

Digit 12~13: Rated voltage

3C=1200V、3H=1600V、3K=2000V

3C=1200V、3H=1600V、3K=2000V

14~17位: 外形尺寸代码

Digit 14~17: Dimension code

14位 Digit 14		15位 Digit 15		16位 Digit 16		17位 Digit 17	
代码 Code	直径 Diameter	代码 Code	高度 Height	代码 Code	脚距 Pitch	代码 Code	引出端规格 Specifications of terminals
6	63	2	50	0	40.0 mm	B	螺母M6*15*10
7	76					C	螺母M8*15*10
						E	螺杆M6*15*20
						F	螺杆M8*15*20

18位: 安装形式

Digit18: Fix style

F=平底 S=M12*16 螺杆 T=M16*25 螺杆

F=Flat S=M12*16Male T=M16*25Male

■ 标准品一览表 Standard size

静电容量 Cap(uF)	Outline size (mm)		ESR @100kHz (mΩ)	dv/dt (V/us)	İ (A)	I _{rms} @40°C/100KHZ (A)	L _s (nH)	Part number
	ΦD	L						
Un=1200V. DC, U _{rms} : 500V. AC								
2	63	50	3.2	500	1000	30	20	C85205****□3C650*○
3	“	“	3.0	“	1500	35	22	C85305****□3C650*○
4	“	“	2.8	400	1600	45	“	C85405****□3C650*○
5	“	“	2.5	“	2000	50	23	C85505****□3C650*○
6	76	“	2.0	350	2100	60	25	C85605****□3C750*○
7	“	“	1.5	300	2100	65	25	C85705****□3C750*○
Un=1600V. DC, U _{rms} : 600V. AC								
2	63	50	3.2	700	1400	30	20	C85205****□3H650*○
3	“	“	3.0	600	1800	35	22	C85305****□3H650*○
4	“	“	2.8	550	2200	45	“	C85405****□3H650*○
5	76	“	2.3	500	2500	55	23	C85505****□3H750*○
6	“	“	2.2	450	2700	65	25	C85605****□3H750*○
Un=2000V. DC, U _{rms} : 700V. AC								
2	63	50	3.0	800	1600	50	20	C85205****□3K650*○
3	“	“	2.8	700	2100	55	22	C85305****□3K650*○
4	76	“	2.5	600	2400	65	“	C85405****□3K750*○

- ◇ 备注：特殊需要可根据客户要求另行设计
- ◇ Note: Special requirements can be designed according to customer requirements
- ◇ 1.“****”表示内部特征码；“****”=Internal use
- ◇ 2.“□”表示容量偏差；“□”= Capacitance tolerance
- ◇ 3.“*”表示引出端型体；“*”= Specifications of terminals
- ◇ 4.“○”表示安装形式；“○”= Fix style