

C86 系列 SERIES

■ 特点

- 高电压、高频率
- 高 dv/dt 特性、能承受大电流
- 散热性能好、具有自愈性

■ Features

- High voltage, high frequency
- High dv/dt characteristics.
- Good heat radiation performance, Self healing



■ 主要用途

- 广泛应用于大功率的高频谐振设备中

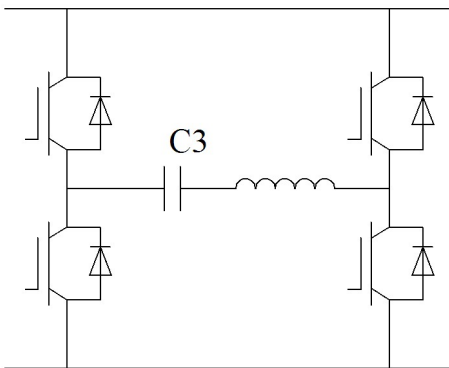
■ Typical application

- Widely used in high power high frequency resonant device

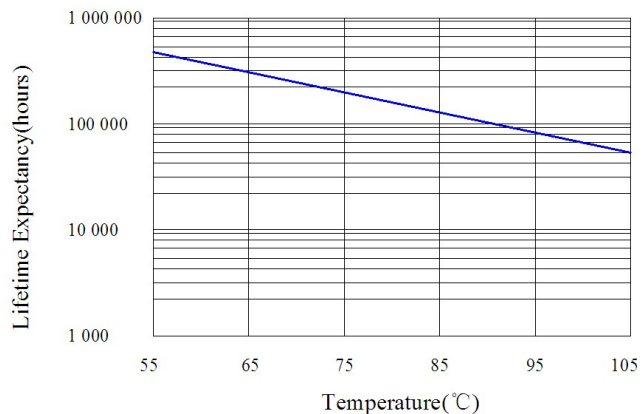
■ 技术参数 Technical Specifications

项目 Items	性能要求 Characteristics
引用标准/Reference standards	GB/T 3984 IEC 60110..1
工作温度范围/Operating temperature range	-25℃~85℃
容量范围/Capacitance	0.1μF ~84μF
额定容量/ Rated capacity	300kVar,600kVar,750kVar,800kVar ,1500kVar
额定电压/Rated Voltage	400V.DC ~1000 V.DC
容量偏差/Tolerance	±5% ±10%
损耗角正切/Dissipation factor	$\text{tg}\delta \leq 5 \times 10^{-4}$ at 25℃±5℃,1KHz
绝缘电阻/Insulation resistance	$C \cdot R \geq 5000\text{S}$,at 100V.DC,25℃±5℃,60s
极间耐电压/Test voltage between terminals	1.5Un (10S,25℃±5℃)
极壳耐电压/Test voltage between terminals and case	3000V.AC(10S,50/60Hz,25℃±5℃)
最高使用海拔/Max Altitude	2000m
预期寿命/Expected lifetime	200 000hrs @ Un,θhs=70℃
失效率/Failure rate	100FIT

■ 典型线路/Typical circuit



■ 预期寿命曲线/ Expected lifetime curve



■ 产品编码说明/Part number code system

▲ 18位产品代码如下:

▲ The 18 digits part number is formed as follow:

C	8	6															
1	2	3	4	5	6	7	8	9	10	11	12	13	14	15	16	17	18

1~3位: 型号代码

Digit 1~3: Series code

4~6位: 标称容量

Digit 4~6: Rated capacitance value

如: 104=10×10⁴PF=0.1uF

Example: 104=10×10⁴PF=0.1uF

7~10位: 内部特征码

Digit 7~10: Internal use

11位: 容量偏差

Digit 11: Capacitance tolerance

J=±5%、K=±10%、M=±20%

J=±5%、K=±10%、M=±20%

12~13位: 额定电压

Digit 12~13: Rated voltage

2W=400V、2Y=500V、24=600V

2W=400V、2Y=500V、24=600V

26=700V、28=800V、20=900V

26=700V、28=800V、20=900V

3A=1000V

3A=1000V

14~15位: 容量(kVar)

Digit 14~15: Output(kVar)

2S=300kVar、24=600kVar

2S=300kVar、24=600kVar

27=750kVar、28=800kVar

27=750kVar、28=800kVar

3G=1500kVar

3G=1500kVar

16位: 引出端形状

Digit 16: Dimension code

C=圆铜片 S=方铜片

C= Circular copper terminal S= Square copper terminal

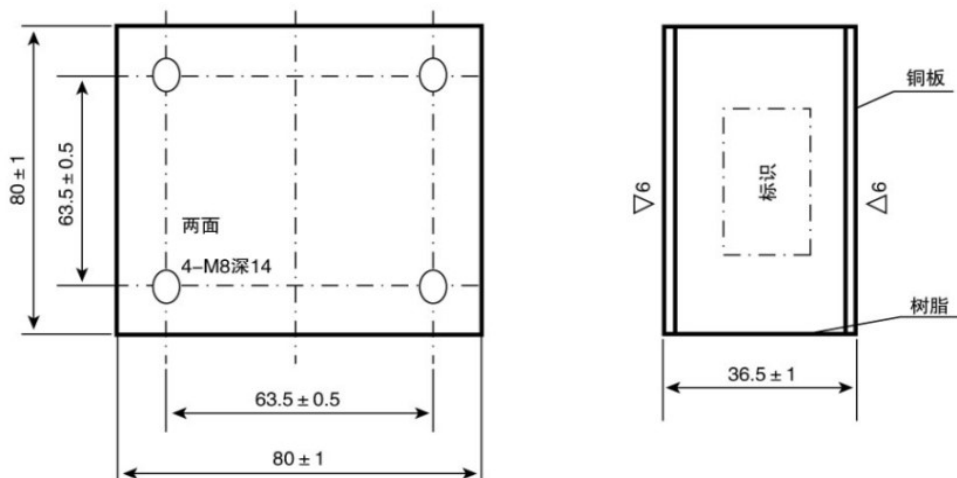
17~18位: 冷却方式

Digit 17~18: Cooling method

AC=风冷式 WC=水冷式

AC= Air-cooled WC= Water-cooled

■ 外形图 Outline Drawing



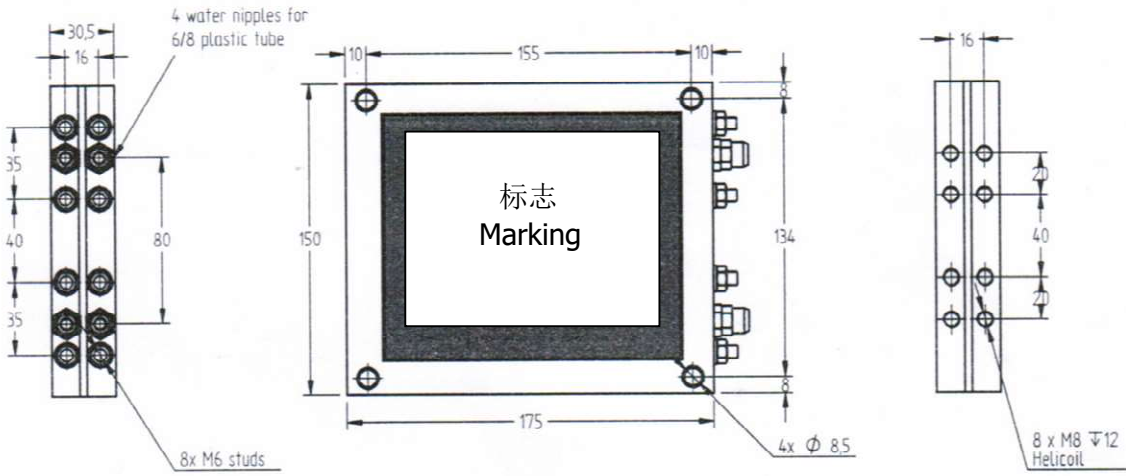
■ 标准品一览表 Standard size

静电容量 Cap(uF)	容量 (kVar)	额定电压 Rated Voltage (V)	I _{rms} (A)	U _{peak} (V)	Frequency @Full Power (kHz)	ESL (nH)	Outline size (mm)	Weight (Kg)	Part number
0.1	300	1000	400	1410	477~840	5	80*80*36.5	3	C86104****□3A2SSAC
0.2	“	“	“	“	239~420	“	“	“	C86204****□3A2SSAC
0.24	“	“	“	“	200~350	“	“	“	C86244****□3A2SSAC
0.33	“	700	500	990	290~400	“	“	“	C86334****□262SSAC
0.47	“	“	“	“	200~280	“	“	“	C86474****□262SSAC
0.68	“	“	“	“	140~190	“	“	“	C86684****□262SSAC
0.75	“	“	“	“	130~170	“	“	“	C86754****□262SSAC
1.0	“	600	650	850	132~190	“	“	“	C86105****□242SSAC
1.2	“	500	“	710	160~185	“	“	“	C86125****□2Y2SSAC
2.0	“	400	800	570	150~160	“	“	“	C86205****□2W2SSAC
4.0	“	400	“	“	75~84	“	“	“	C86405****□2W2SSAC

◇ 备注：特殊需要可根据客户要求另行设计

◇ Note: Special requirements can be designed according to customer requirements

■ Outline drawing/外形图



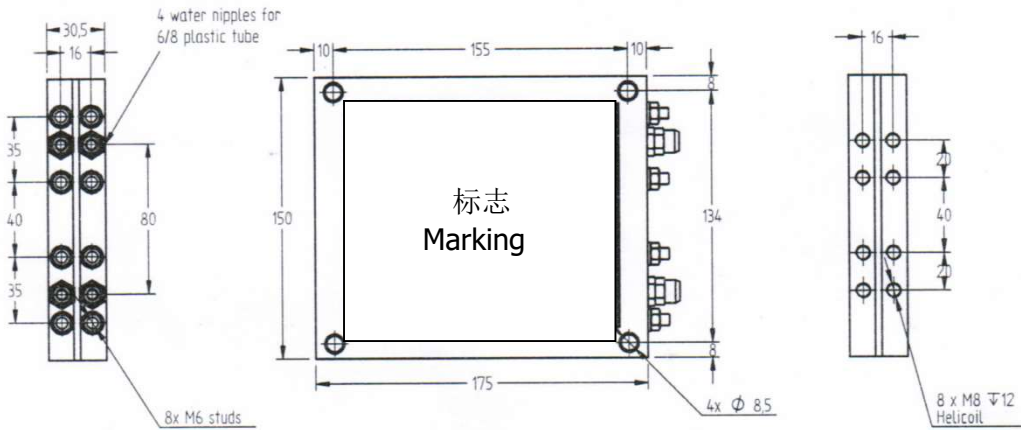
■ 标准品一览表 Standard size

静电容量 Cap(uF)	容量 (kVar)	额定电压 Rated Voltage (V)	Irms (A)	Upeak (V)	Frequency @Full Power (kHz)	ESL (nH)	Outline size (mm)	Weight (Kg)	Part number
0.4	800	700	1200	990	650~700	5	160*120*37.5	4	C86404****□2628SWC
0.8	“	“	1500	“	325~560	“	“	“	C86804****□2628SWC
1.4	“	“	“	“	186~320	“	“	“	C86105****□2628SWC
2.7	“	“	“	“	96~166	“	“	“	C86275****□2628SWC
4.0	“	600	“	850	88~112	“	“	“	C86405****□2428SWC
5.3	“	“	“	“	67~84	“	“	“	C86535****□2428SWC
11	750	500	“	710	43	“	“	“	C86116****□2Y27SWC
19	600	400	“	570	31	“	“	“	C86196****□2W24SWC

◇ 备注：特殊需要可根据客户要求另行设计

◇ Note: Special requirements can be designed according to customer requirements

■ Outline drawing/外形图



■ 标准品一览表 Standard size

静电容量 Cap(uF)	容量 (kVar)	额定电压 Rated Voltage (V)	Irms (A)	Upeak (V)	Frequency @Full Power (kHz)	ESL (nH)	Outline size (mm)	Weight (Kg)	Part number
0.5	1500	1000	1750	1410	477~650	5	177*150*37.5	4.8	C86504****□3A3GSWC
1	“	“	“	“	239~325	“	“	“	C86105****□3A3GSWC
1.7	“	“	“	“	140~191	“	“	“	C86175****□3A3GSWC
3.3	“	900	1270	1270	89~201	“	“	“	C86335****□203GSWC
5	“	800	1130	1130	75~133	“	“	“	C86505****□283GSWC
6.6	“	700	990	990	74~145	“	“	“	C86665****□263GSWC
13.2	“	600	850	850	50~72	“	“	“	C8613B****□243GSWC
24	“	500	710	710	40	“	“	“	C86246****□2Y3GSWC

- ◇ 备注：特殊需要可根据客户要求另行设计
- ◇ Note: Special requirements can be designed according to customer requirements
- ◇ 1.“****”表示内部特征码；“****”=Internal use
- ◇ 2.“□”表示容量偏差；“□”= Capacitance tolerance